

DOT MATRIX PRINTER

SP2000 SERIES

USER'S MANUAL

MODE D'EMPLOI

BEDIENUNGSANLEITUNG

MANUALE DI ISTRUZIONI

stair 

**Federal Communications Commission
Radio Frequency Interference
Statement**

This equipment has been tested and found to comply with the limits for a Class A digital device, pursuant to Part 15 of the FCC Rules. These limits are designed to provide reasonable protection against harmful interference when the equipment is operated in a commercial environment. This equipment generates, uses and can radiate radio frequency energy and, if not installed and used in accordance with the instruction manual, may cause harmful interference to radio communications. Operation of this equipment in a residential area is likely to cause harmful interference in which case the user will be required to correct the interference at his own expense.

For compliance with the Federal Noise Interference Standard, this equipment requires a shielded cable.

This statement will be applied only for the printers marketed in U.S.A.

**Statement of
The Canadian Department of Communications
Radio Interference Regulations**

This digital apparatus does not exceed the Class A limits for radio noise emissions from digital apparatus set out in the Radio Interference Regulations of the Canadian Department of Communications.

Le présent appareil numérique n'émet pas de bruits radioélectriques dépassant les limites applicables aux appareils numériques de la classe A prescrites dans le Règlement sur le brouillage radioélectrique édicté par le ministère des Communications du Canada.

The above statement applies only to printers marketed in Canada.

**CE
Manufacturer's Declaration of Conformity**

EC Council Directive 89/336/EEC of 3 May 1989

This product, has been designed and manufactured in accordance with the International Standards EN 50081-1/01.92 and EN 50082-1/01.92, following the provisions of the Electro Magnetic Compatibility Directive of the European Communities as of May 1989.

EC Council Directive 73/23/EEC and 93/68/EEC of 22 July 1993

This product, has been designed and manufactured in accordance with the International Standards EN 60950, following the provisions of the Low Voltage Directive of the European Communities as of July 1993.

The above statement applies only to printers marketed in EU.

Trademark acknowledgments

SP2000 Series: Star Micronics Co. Ltd.

ESC/POS: Seiko Epson Corporation

Notice

- All rights reserved. Reproduction of any part of this manual in any form whatsoever, without STAR's express permission is forbidden.
- The contents of this manual are subject to change without notice.
- All efforts have been made to ensure the accuracy of the contents of this manual at the time of going to press. However, should any errors be detected, STAR would greatly appreciate being informed of them.
- The above notwithstanding, STAR can assume no responsibility for any errors in this manual.

TABLE OF CONTENTS

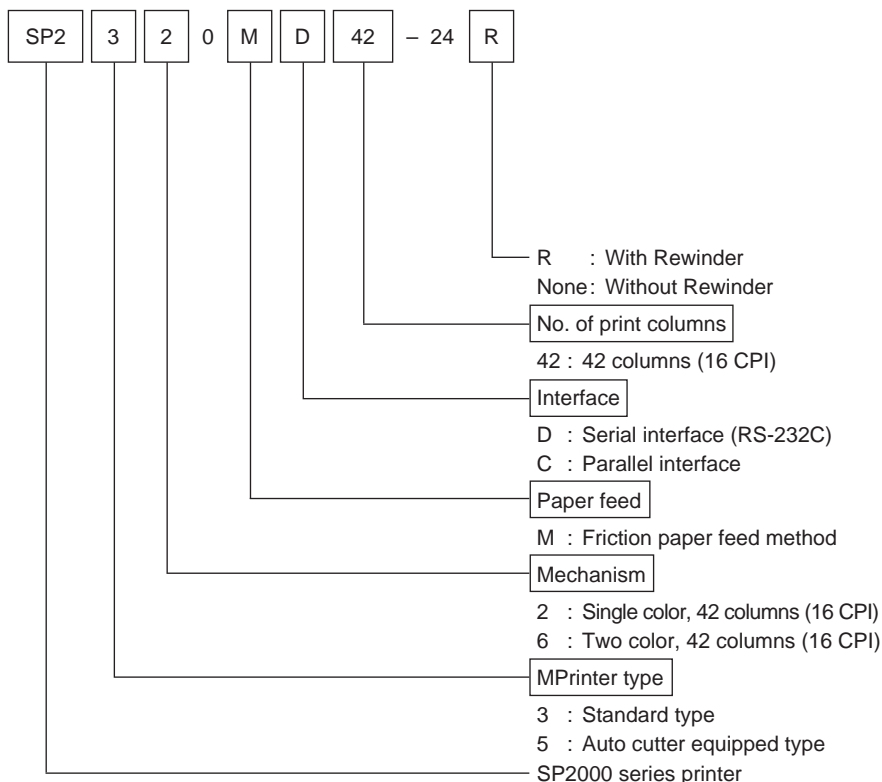
1. Outline	1
2. Unpacking and Installation	2
2-1. Unpacking	2
2-2. Locating the Printer	3
2-3. Handling Care	3
2-4. Maintenance	3
3. Parts Identification and Nomenclature	4
4. Optional AC Adapter	6
5. Connecting	8
5-1. Ferrite Core Installation	8
5-2. Connecting to Host Computer (Serial Interface)	9
5-3. Connecting to Host Computer (Parallel Interface)	10
5-4. Connecting to a Peripheral Unit	10
6. Loading the Ribbon Cartridge and Paper	12
6-1. SP2300 Type	12
6-2. SP2500 Type	15
6-3. Removing the Paper	23
7. Control Panel	24
7-1. Basic Operation	24
7-2. Errors	25
7-3. Switch Operation (Combined Switch Operation)	26
8. Optional Near-end Sensor	30
8-1. Adjusting the Near-end Sensor	30
Appendix A: General Specifications	128
Power Supply Specifications	131
Appendix B: Serial Interface	132
B-1. Pins and Signal Names	132
B-2. Interface Connections (Serial Interface)	133
Appendix C: Parallel Interface	134
C-1. Table of Connection Signals for Each Mode	134
Appendix D: DIP Switch Setting	136
D-1. Parallel Interface	136
D-2. Serial Interface	138
Appendix E: Memory Switch Settings	141
Appendix F: Peripheral Unit Driver Circuit	142

1. Outline

The SP2000 Series Serial Impact Dot Matrix Printer is designed for use with electronic instruments such as POS, banking equipment, computer peripheral equipment, etc.

The major features of the SP2000 series are as follows:

1. Bi-directional printing at approx. 3.1 lines/sec.
2. Serial interface or parallel interface.
3. The data buffer allows the unit to receive print data even during printing.
4. Peripheral unit drive circuit enables control of external devices such as cash drawers.

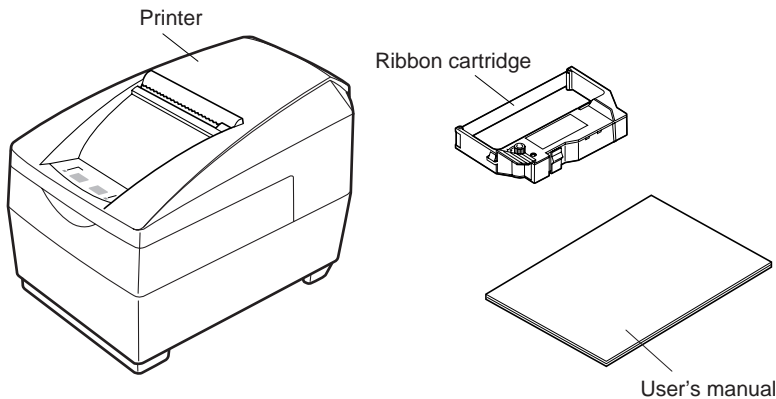


2. Unpacking and Installation

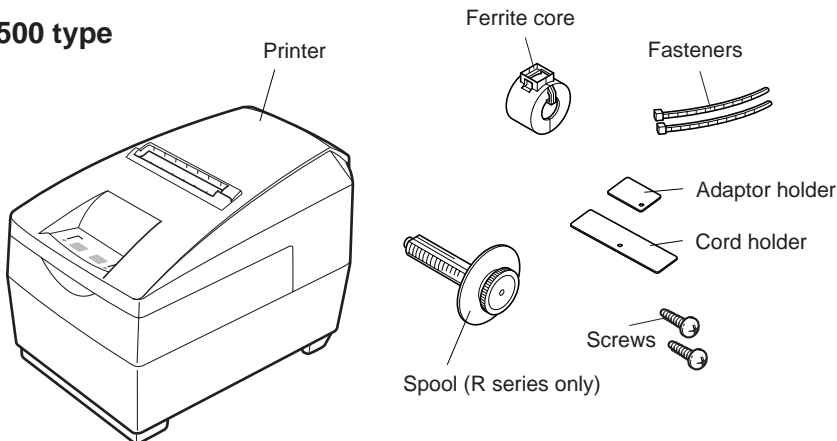
2-1. Unpacking

After unpacking the unit, check that all the necessary accessories are included in the package.

SP2300 type



SP2500 type



Note: The spool is only included with the R series (rewinder model).
The spool is under the printer cover.

Fig. 2-1 Unpacking

If anything is missing, contact the dealer where you bought the printer and ask them to supply the missing part. Note that it is a good idea to keep the original box and all the packing materials just in case you need to pack the printer up again and send it somewhere at a later date.

2-2. Locating the Printer

When you locate your printer, keep the following tips in mind:

1. Protect your printer from excessive heat such as direct sunlight or heaters, and keep it away from moisture and dust.
2. Place the printer on a firm, level surface which is fairly vibration-free.
3. A steady power supply that is not subject to power surges should be connected to the printer.
For example, do not connect it to the same circuit as a large, noise-producing appliance such as a refrigerator or an air conditioner.
4. Make sure the line voltage is the voltage specified on the printer's identification plate.
5. To disconnect the printer, the plug has to be disconnected from the wall socket, which has to be located close to the printer, and easy to access.

2-3. Handling Care

1. Be careful not to drop paper clips, pins or other foreign matter into the unit as these cause the printer to malfunction.
2. Do not attempt to print when either paper or ribbon cartridge is not located in the printer, otherwise the print head can be damaged.
3. Do not open the cover while printing.
4. Do not touch the print head immediately after printing as it gets very hot.
5. Use only roll paper that is not glued to the core.
6. When the paper end mark appears on the paper, replace the roll paper before it runs out.

2-4. Maintenance

Essentially, your printer is a robust piece of equipment, but should be treated with a modicum of care in order to avoid malfunctions. For example:

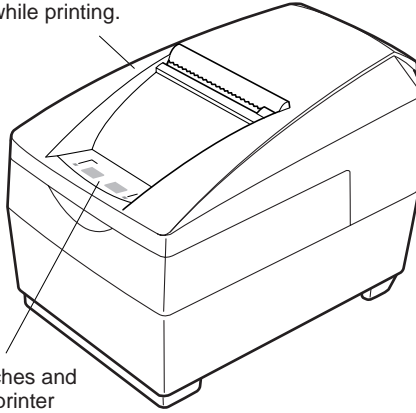
1. Keep your printer in a "comfortable" environment. Roughly speaking, if you feel comfortable, then the environment is suitable for your printer.
2. Do not subject the printer to physical shocks or excessive vibration.
3. Avoid over-dusty environments. Dust is the enemy of all precision mechanical devices.
4. To clean the exterior of the printer, use a cloth barely dampened with either water with a little detergent or a little alcohol, but do not allow any liquid to fall inside the printer.
5. The interior of the printer may be cleaned with a small cleaner or a compressed-air aerosol (sold for this purpose). When performing this operation, be sure not to bend or damage any cable connections or electronic components.

3. Parts Identification and Nomenclature

SP2300 type

Cover

Protects the printer from dust and reduces noise.
Do not open the cover while printing.



Control panel

Features two control switches and two indicators to indicate printer status.

Power switch

Turns printer power on and off.

AC adapter

Refer to the following section for installation instructions.

Peripheral unit drive circuit connector

Connects to peripheral units such as cash drawers, etc.
Do not connect this to a telephone.

Interface connector

Connects the printer with host computer.

DIP switch

Use to make various settings.

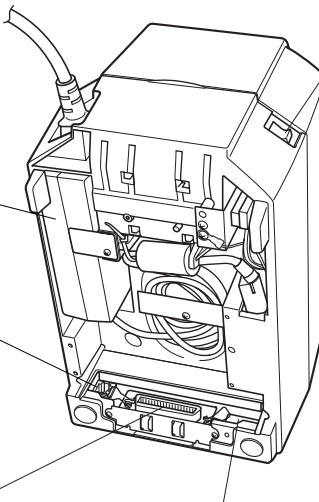
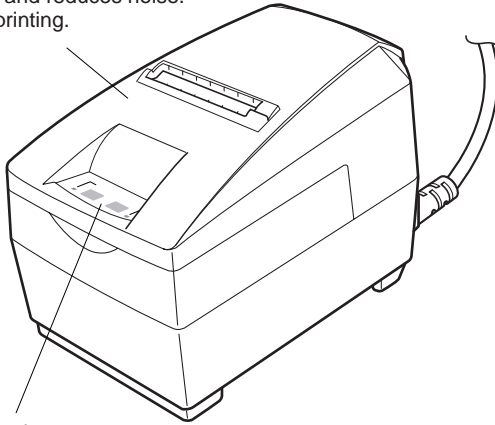


Fig. 3-1 External view of the printer (SP2300 type)

SP2500 type

Cover

Protects the printer from dust and reduces noise.
Do not open the cover while printing.



Control panel

Features two control switches and two indicators to indicate printer status.

AC adapter

Refer to the following section for installation instructions.

Peripheral unit drive circuit connector

Connects to peripheral units such as cash drawers, etc.
Do not connect this to a telephone.

Interface connector

Connects the printer with host computer.

Power switch

Turns printer power on and off.

DIP switch

Use to make various settings.

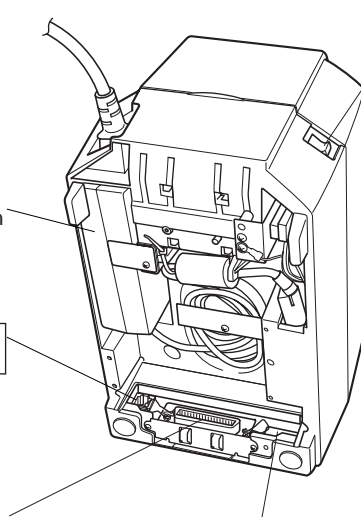


Fig. 3-2 External view of the printer (SP2500 type)

4. Optional AC Adapter

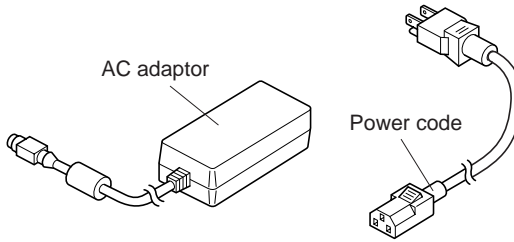


Fig. 4-1

Use the following procedure to install the optional AC adapter.

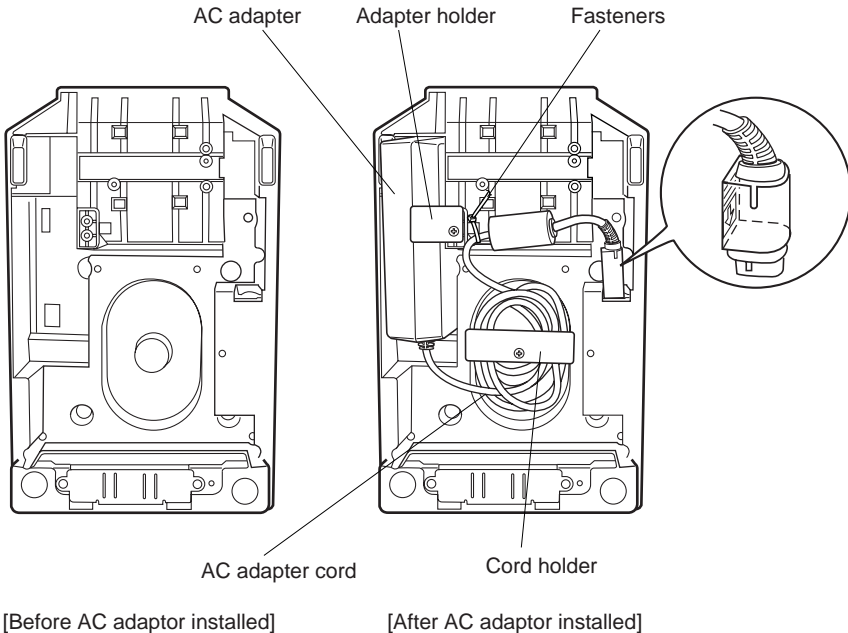


Fig. 4-2 Flat side faces this way

- ① Turn the printer over.
- ② Plug the AC adapter's cord into the socket as shown in the above illustration. Make sure the flat side of the plug is facing towards the inside of the printer.
- ③ Use one of the nylon fasteners that comes with the printer to fasten the cord at the point indicated in the illustration.

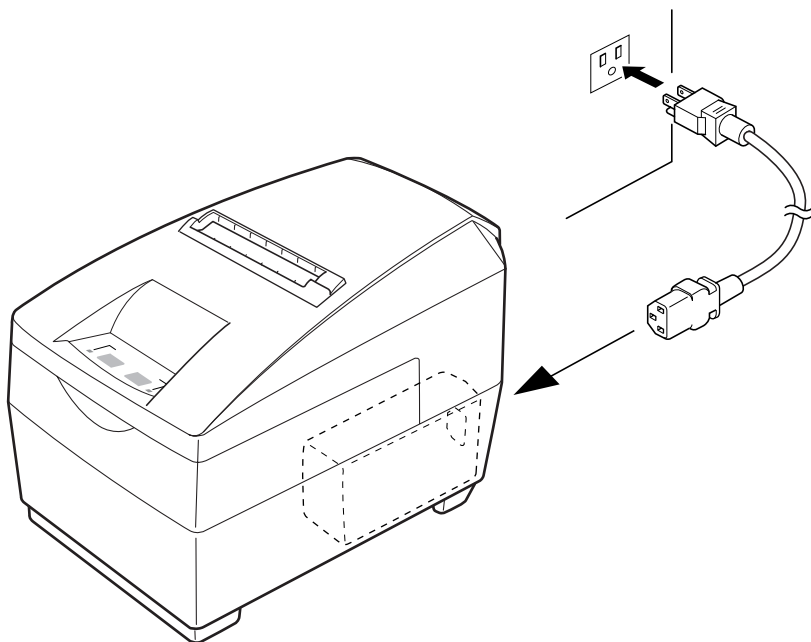


Fig. 4-3 Fasten cord here

- ④ Coil the AC adapter cord into the space provided, and insert the AC adapter into its space.
- ⑤ Use the adapter holder and screw to secure the AC adapter and the cord holder and screw to secure the cord.
- ⑥ Turn the printer back right side up.
- ⑦ Plug the female end of the power cord into the AC adapter, and plug the other end into a power outlet.

5. Connecting

The computer sends data to the printer through a cable to the printer's interface (Serial Interface Connector Type: D-sub 25-pin or Parallel Interface Connector Type: 36-pin Centronics compatible). This printer does not come with a cable, so it is up to you to obtain one that suits your needs.

Important!

- The following instructions apply to the cable that is used with an IBM-compatible personal computer. Note that they do not apply to all types of computers and cables. If you are unsure about what type of cable you should use to connect with your computer, consult your dealer.
- Make sure that the printer is turned off and unplugged from the AC outlet and that the computer is turned off before connecting them.

5-1. Ferrite Core Installation

- ① Affix the ferrite core onto the cable as shown in the illustration below.

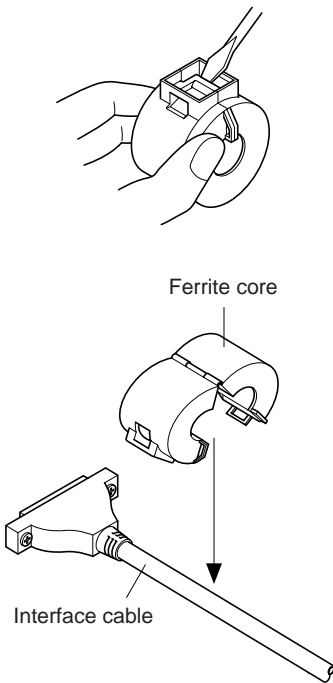


Fig. 5-1

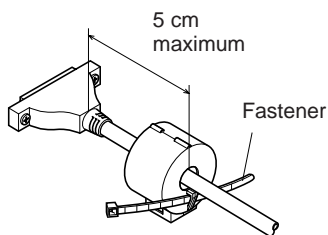


Fig. 5-2

- ② Pass the fastener through the ferrite core.

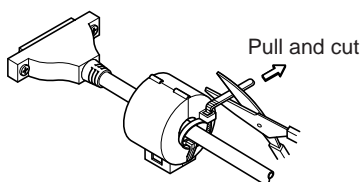


Fig. 5-3

- ③ Loop the fastener around the cable and lock it. Use scissors to cut off any excess.

5-2. Connecting to Host Computer (Serial Interface)

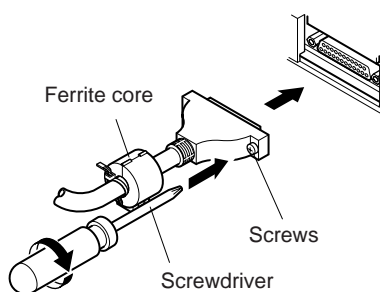
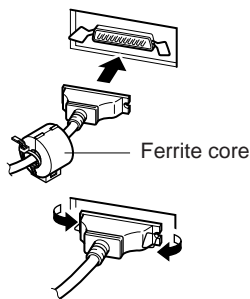


Fig. 5-4 Connecting the serial interface cable

- ① Turn off power to both the host computer and the printer.
- ② Insert the connector at one end of the interface cable into the connector on the printer and the other connector into the connector for the host computer.
- ③ Next, fasten the right and left screws for the respective interface connectors to fix them in place on the connectors.

5-3. Connecting to Host Computer (Parallel Interface)



- ① Turn off power to both the host computer and the printer.
- ② Insert one terminal of the interface cable into the printer's connector, as shown in the diagram, and fasten it there with the clasp.
- ③ Insert the other terminal of interface cable into the host computer's connector, and again fasten it with the clasp.

Fig.5-5 Connecting the parallel interface cable

5-4. Connecting to a Peripheral Unit

You can connect a peripheral unit to the printer using a modular plug. See "Modular plug" on page 142 for details about the type of modular plug that is required. Note that this printer does not come with a modular plug or wire, so it is up to you to obtain one that suits your needs.

Important!

Make sure that the printer is turned off and unplugged from the AC outlet and that the computer is turned off before making connections.

Modular plug: MOLEX 90075-0007,
AMP641337, or JAPAN BURNDY B-66-4

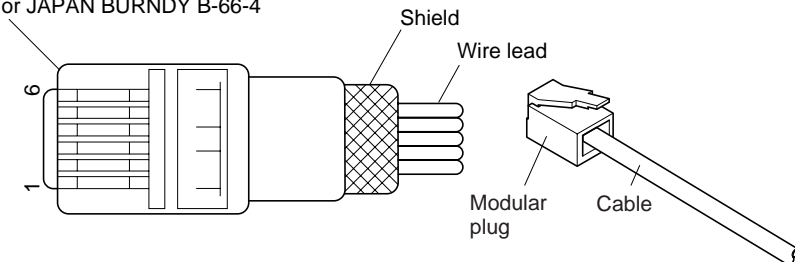


Fig. 5-6

Fig. 5-7

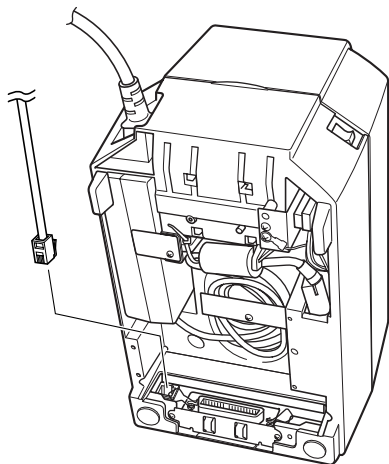


Fig. 5-8

Important!

Do not connect a telephone line to the peripheral unit drive circuit connector; otherwise the printer and the telephone line may be damaged.

- ① Plug one end of the modular cable into the modular jack of the peripheral.
- ② Remove the modular jack cover from the back of the printer and plug the other end of the modular cable into the jack of the printer.

6. Loading the Ribbon Cartridge and Paper

6-1. SP2300 Type

6-1-1. Loading the Ribbon Cartridge

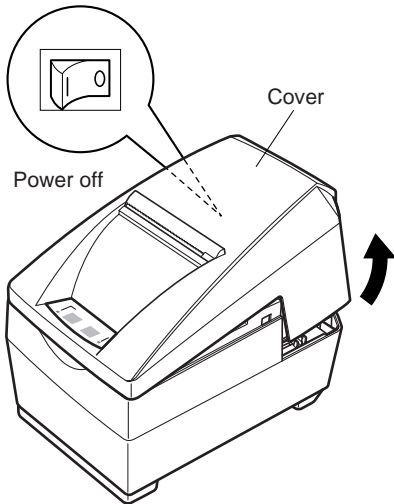


Fig. 6-1 Removing the cover

- ① Turn off power to the printer.
- ② Lift the cover up approx. 3 cm. Hold the cover tilted at this angle, then pull it toward you to remove it.
- ③ Place the ribbon cartridge in the direction shown in Fig. 6-2 and press it down to load it. If loading of the ribbon cartridge is not satisfactory, press down the cartridge while rotating the ribbon feed knob in the direction of the arrow.
- ④ Turn the ribbon feed knob of the ribbon cartridge in the direction of the arrow to remove slack in the ribbon.
- ⑤ Mount the cover by reversing the procedure outlined in step ② above.

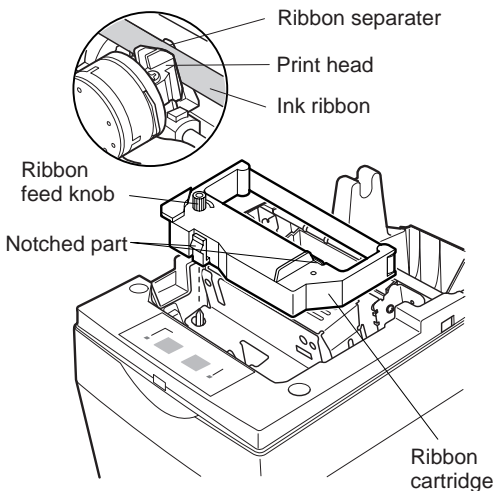


Fig. 6-2 Loading the ribbon cartridge

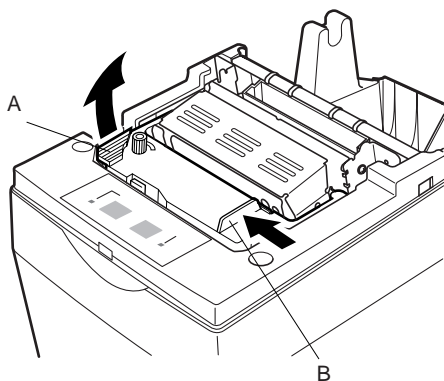


Fig. 6-3 Removing the ribbon cartridge

6-1-2. Loading the paper

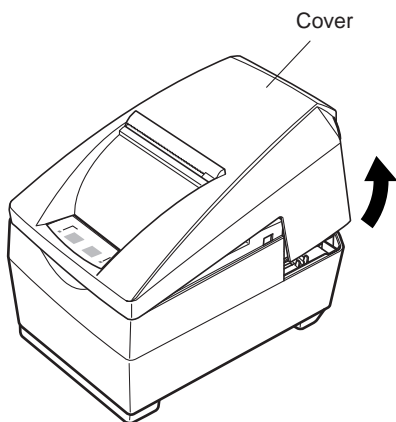


Fig. 6-4 Removing the cover

Note: When removing the ribbon cartridge, raise the A section and then remove it by holding the B section as shown in Fig. 6-3.

- ① Lift the cover up approx. 3cm. Hold the cover tilted at this angle, then pull it toward you to remove it.
- ② Cut off the front edge of the roll paper perpendicularly.
- ③ Confirm that the power of the printer is turned on.

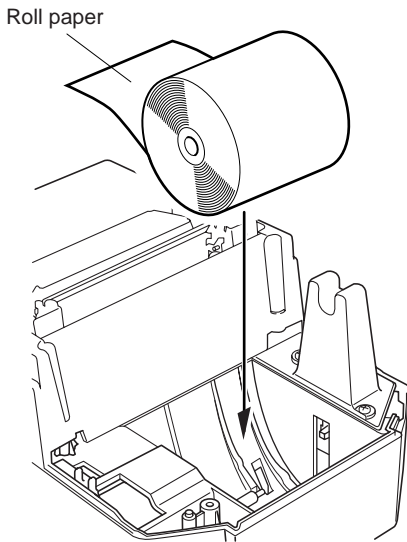


Fig. 6-5 Setting the paper

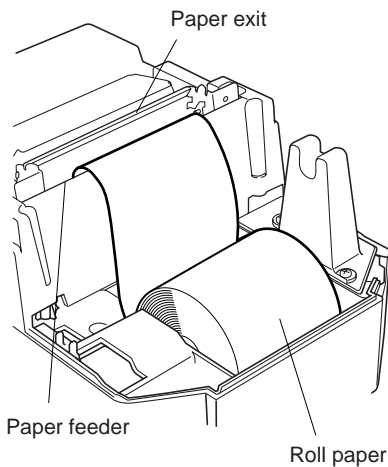


Fig. 6-6 Loading the paper

- ④ While observing the direction of the roll, set the paper roll into the hollow as shown in Fig. 6-5.

- ⑤ Insert the edge of the paper into the paper feeder. If inserted correctly, the edge of the paper will pass through the paper exit.
- ⑥ Insert the top edge of the paper into the tear bar slot, then mount the cover by reversing the procedure for removing the cover in step ① above.
- Note:** When the paper end mark appears on the paper, replace the roll paper before it runs out.

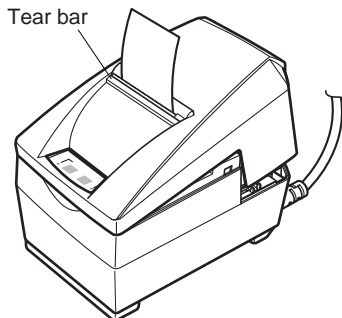


Fig. 6-7

6-2. SP2500 Type

6-2-1. Loading the Ribbon Cartridge

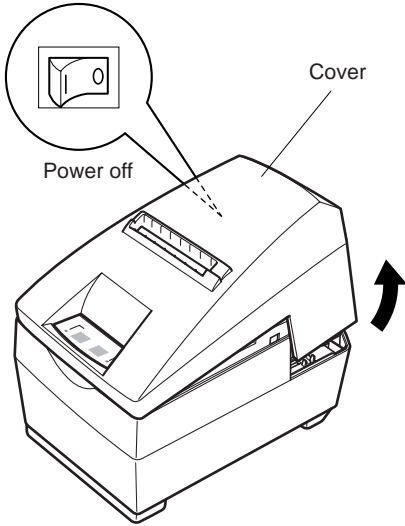


Fig. 6-8 Removing the cover

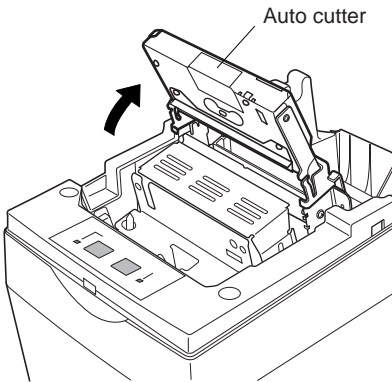


Fig. 6-9 Raise the auto cutter

- ① Turn off power to the printer.
- ② Lift the cover up approx. 3 cm. Hold the cover tilted at this angle, then pull it toward you to remove it.

- ③ Lift up the auto cutter and put it in a vertical position, as shown in Fig. 6-9.

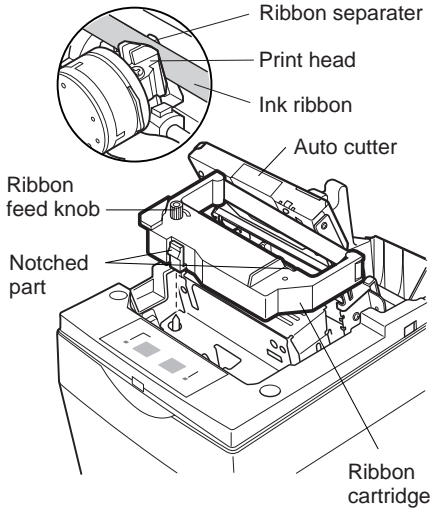


Fig. 6-10 Loading the ribbon cartridge

- ④ Place the ribbon cartridge in the direction shown in Fig. 6-10 and press it down to load it. If loading of the ribbon cartridge is not satisfactory, press down the cartridge while rotating the ribbon feed knob in the direction of the arrow.
- ⑤ Turn the ribbon feed knob of the ribbon cartridge in the direction of the arrow to remove slack in the ribbon.
- ⑥ Close the Auto Cutter.
- ⑦ Mount the cover by reversing the procedure outlined in step ② above.
- ⑧ When removing the ribbon cartridge, raise the A section and then remove it by holding the B section as shown in Fig. 6-11.

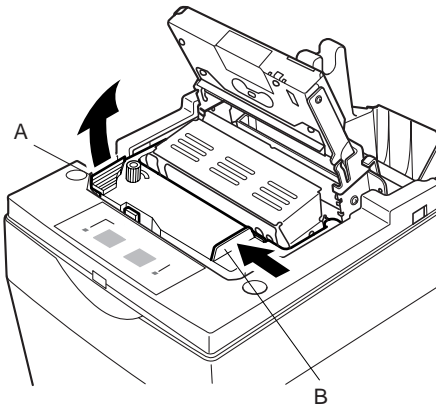


Fig. 6-11 Removing the ribbon cartridge

6-2-2. Loading the Paper

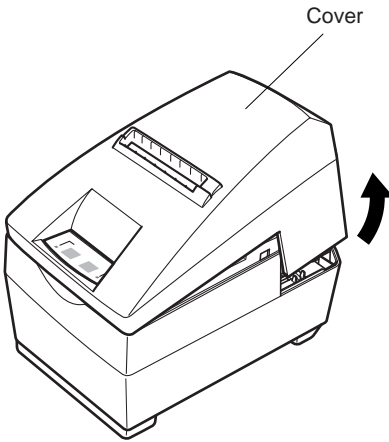


Fig. 6-12 Removing the cover

- ① Lift the cover up approx. 3 cm. Hold the cover tilted at this angle, then pull it toward you to remove it.

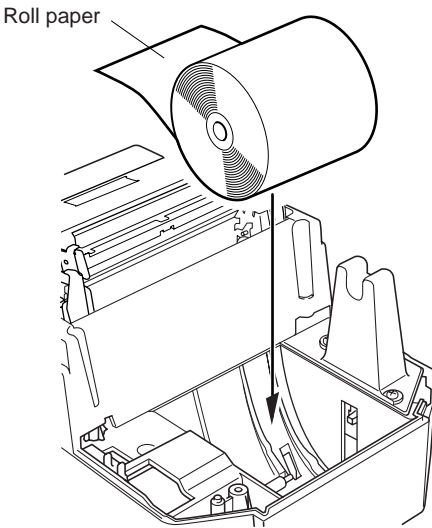
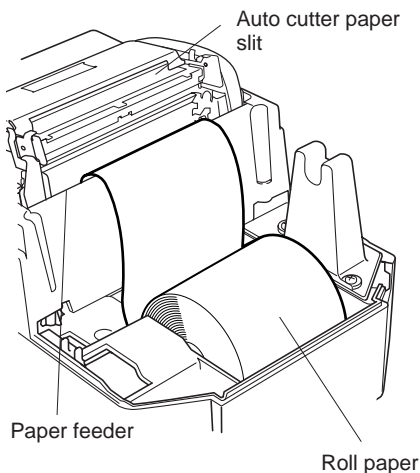


Fig. 6-13 Setting the paper

- ② Cut off the front edge of the roll paper perpendicularly.
- ③ Confirm that the power of the printer is turned on.
- ④ While observing the direction of the roll, set the paper roll into the hollow as shown in Fig. 6-13.

[When using single-ply paper]

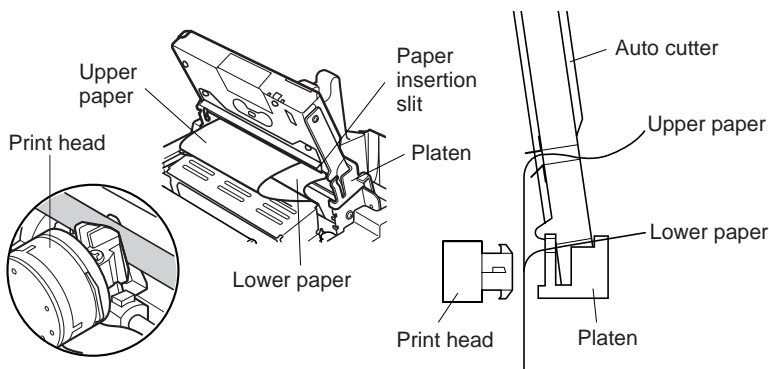


- ⑤ Inset the edge of the paper into the paper feeder. If inserted correctly, the edge of the paper will pass through the auto cutter paper slit. The paper will be cut once.
- ⑥ Remove the cut tip, and mount the cover by reversing the procedure outlined in step ①.

Note: When the paper end mark appears on the paper, replace the paper roll before it runs out.

Fig. 6-14 Loading the paper

[When using multi-ply paper]



**Fig. 6-15 Insertion of the paper into the auto cutter
(When using copying paper)**

- ⑤ Lift up the auto cutter and place it in a vertical position.
- ⑥ Insert the edge of the paper into the paper feeder. If inserted correctly, the edge of the paper will pass through the paper exit.

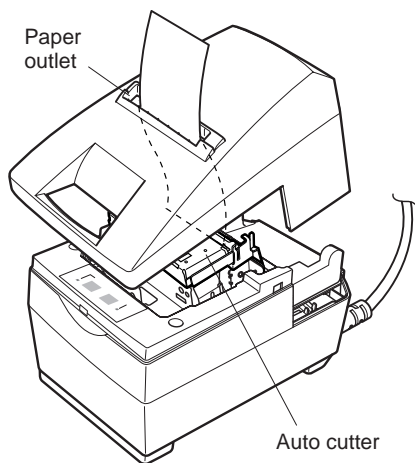


Fig. 6-16 Paper outlet of the front cover

- ⑦ Insert only the original (the upper paper) into the slit of the auto cutter. Insert the paper onto which you wish to copy (the lower paper) between the platen and the auto cutter.
- ⑧ Pull on the edge of the paper to remove any slack and then lower the auto cutter.
- ⑨ Insert the paper through the paper outlet and then replace the cover by reversing the removal steps.

Note: When the paper end mark appears on the paper, replace the roll paper before it runs out.

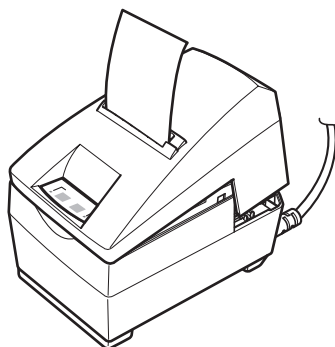


Fig. 6-17 Mounting the cover

6-2-3. Rewinder

When using the rewinder, follow steps ① through ⑧ of section 6-2-2, and then continue with the procedure described below.

- ⑨ Feed approximately 20 cm of roll paper from the paper exit by pressing the [FEED] button.

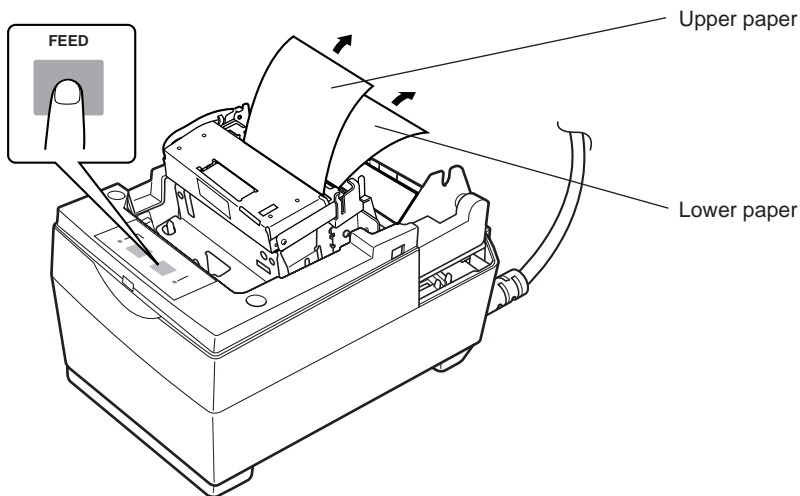


Fig. 6-18 Loading the paper

- ⑩ Insert the end of the journal paper through the slit in the take-up spool as shown below. Be sure that the right side of the paper is against the reel.

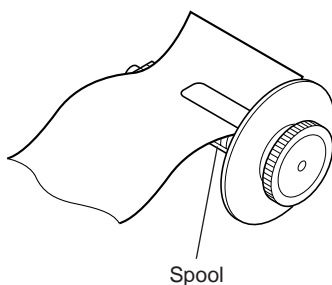


Fig. 6-19 Spool

- ⑪ Wind the paper onto the spool about three turns.

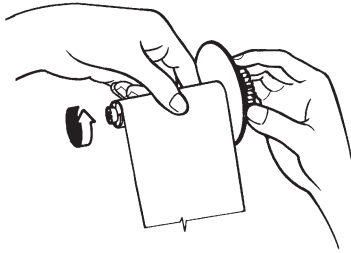


Fig. 6-20

- ⑫ While holding the paper down so that there is no slack, set the spool into place so the gear on the spool engages with the gear inside the printer.

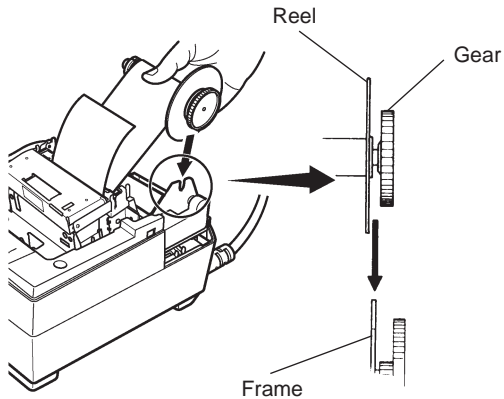


Fig. 6-21

- ⑬ Press the [FEED] button to wind the paper a round the take-up spool. Hold down the [FEED] button until there is no slack in the paper.

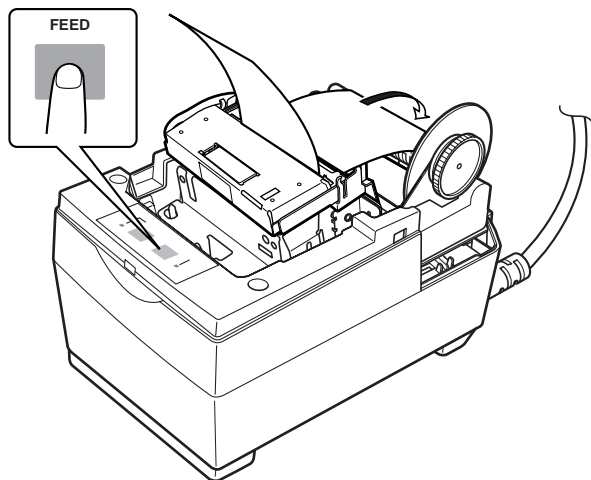


Fig. 6-22

- ⑭ After installation is complete, replace the printer cover while passing the leading edge of the upper paper through the slit in the cover.

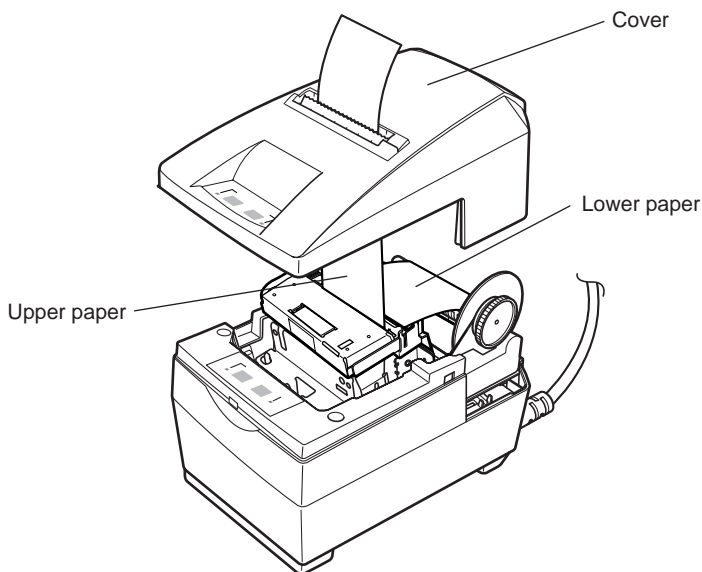


Fig. 6-23

6-3. Removing the Paper

Remove the cover, then cut off the paper near the rear of the paper guide and press the FEED switch to feed out the paper remaining in the unit.

When the paper runs out, the POWER lamp will blink.

- Note:**
1. Remove the paper remaining in the printer by pressing the FEED switch.
 2. When the paper end mark appears on the paper, replace the roll paper before it runs out.

[When the rewinder is used]

Remove the reel together with the paper rolled up on it.

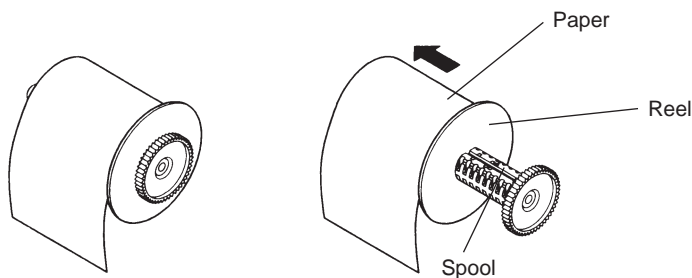


Fig. 6-24

7. Control Panel

7-1. Basic Operation

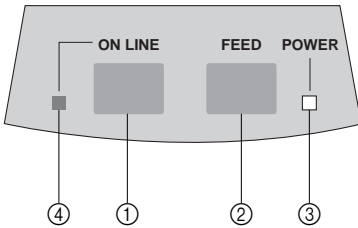


Fig. 7-1 Control panel

- ① ON LINE switch
- Switches the printer between ON LINE and OFF LINE. ON LINE and OFF LINE switching is possible only when paper is loaded in the printer.
- ② FEED switch
- When this switch is pressed and then released within 0.5 sec., the paper feeds on line.
 - When this switch is held depressed for more than 0.5 sec., the paper feeds continuously.
(The above paper feed operation is possible for both ON LINE and OFF LINE modes.)

- ③ POWER lamp (green LED)
- LED lit : Power to the printer is ON.
LED off : Power to the printer is OFF.
- ④ ON LINE lamp (green LED)
- LED lit : Printer is ON LINE
LED off : Printer is OFF LINE

7-2. Errors

Determine the nature of the error by the flashing of the lamp or the sound of the buzzer.

Error Description	Power lamp	On-line lamp	Buzzer	Recovery Conditions
No paper	Flashes at 1-second intervals	Off	4 short beeps (0.13 seconds) repeated twice	*1
Paper near end of roll (when Near End Stop is operative)	Flashes at 2-second intervals	Off On (after on-line switch pushed)	None	*2
Mechanical error (other than cutter error)	Flashes at 0.25-second intervals	Off	One short (0.13 sec.) and one long (0.5 sec.) beep	*3
Cutter error (on models with cutter only)	Flashes at 0.125-second intervals	Off	Two short (0.13 sec.) and one long (0.5 sec.) beep	*3
Print-order overload error	Flashes at 0.5-second intervals	On	None	*4
RAM R/W error	Off	On	None	*5
CPU error	Off	On	Sounds for 2 seconds	*5

- *1 After changing the paper, press the On-line switch.
- *2 Press the On-line switch to continue printing; or change the paper and press the On-line switch.
- *3 After clearing the paper jam or remedying another problem, press the On-line switch.
- *4 Printing will resume automatically after some time has elapsed. (Recovery is automatic after the print head has cooled.)
- *5 This is not a recoverable error. Consult dealer for repairs.

7-3. Switch Operation (Combined Switch Operation)

7-3-1. Self Printing

[FEED] + [POWER ON] (Turn the power on while holding the FEED switch depressed.)

Self-printing will be performed according to the VER. NO., DIP switch settings and character order. When the FEED switch is held continuously or when the FEED switch is depressed at the time of the end of self-printing, only the characters will be printed out repeatedly.

```

**** 52      1.1 ****

Memory Switch
      FE0CBA9876543210  HEX.
<0>  0000000000000000  0000
<1>  0000000000000000  0000
<2>  0000000000000000  0000
<3>  0000000000000000  0000
<4>  0000000000000000  0000
<5>  0000000000000000  0000
<6>  0000000000000000  0000

<0> 4 = Model : Standard
*(1) 4 = Zero Style : Normal Zero
*(1) 0-3 = Inter. Char : USA
  <2> 0-1 = Near End : Invalid
*(3) 8-B = Character Set : Normal
  <3> 0-1 = <CR> code : * Ignore
  <4> 9 = Buffer Size : 4K bytes
  <6> F = PD Sig. : PE
  <6> 9 = Busy Cond. : Some

      (Mode)
      tuvwxyz(){}~ | 7 7 | 7 7 |
      *XAGU8$333^t4$9$7#4$333333i11
      01A#0333333^t4$9$7#4$333333i11
      ~| | 7 7 | 7 7 |
      |"##%&'()*+,-./0123456789;=<=>?@AB
      CDEFGHIJKLMNOPQRSTUVWXYZ[\]^_`abcde
      fghijklmnopqrstuvwxyz(){}~ | 7 7 | 7 7 |
      | | | | | | | | | | | | | | | | | |
      *XAGU8$333333333333333333333333
      3333^t4$9$7#4$333333i11 776666660000000000000000000000000000000000000000
      3333^t4$9$7#4$333333i11 776666660000000000000000000000000000000000000000
      ~| | 7 7 | 7 7 |
  
```

Fig. 7-2 Self printing sample (when using serial interface printer)

7-3-2. Hexadecimal Dump Mode

ON LINE + **POWER ON** (Turn the power on while holding the **ON LINE** switch depressed.)

Each of the signals sent from the computer to the printer will be printed out in hexadecimal code.

This function allows you to check if a control code sent to the printer by the program being used is correct or not. The last line is not printed if its data is less than one full line. However, if the ON LINE switch is pressed to set the off line mode, the last line will be printed. To turn off the mode, it is necessary to turn off the printer completely.

```

00 01 02 03 04 05 06 07      .....
08 09 0A 0B 0C 0D 0E 0F      .....
10 11 12 13 14 15 16 17      .....
18 19 1A 1B 1C 1D 1E 1F      .....
20 21 22 23 24 25 26 27      !"#%&'
28 29 2A 2B 2C 0A            ()*+,.

```

Fig. 7-3 Hexadecimal dump printing sample

7-3-3. Adjusting the Dot Alignment

You may never have to use the procedure described in this section, but after you have been using your printer for some time you may find that the dots of some graphics do not align correctly. For example, what should look like:

```

H H H

```

may come out looking like one of the following:

```

H H H
H H H

```

or like this

```

H H H
H H H

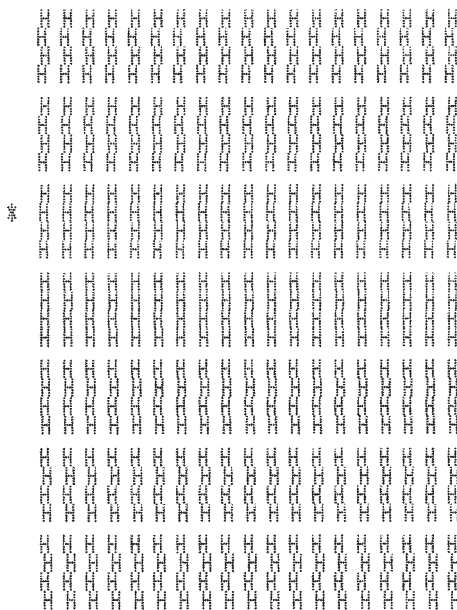
```

This is caused when mechanical parts of the printer get out of alignment. This happens only rarely and you may never experience it at all throughout the life of the printer. If you do have problems, use the following procedure to correct it.

- Turn on the printer and insert a piece of paper.
- Turn off printer power.
- While holding down the control panel’s ON LINE and FEED switches, turn the printer back on to enter the Dot Alignment Adjust Mode, which is indicator by a flashing POWER indicator flashes.

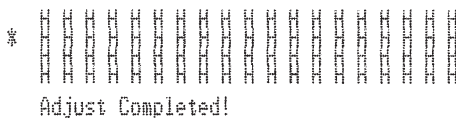
Entering the Dot Alignment Adjust Mode causes seven blocks to be printed, each of which indicates a dot alignment setting, as shown below. An asterisk to the left of the blocks indicates which block is currently selected.

Dot Alignment Adjust Mode



- Use FEED to specify the block that appears to have the best aligned characters. Press FEED once to specify the first block, twice to specify the second block, and so on up to seven times to specify the seventh block. Warning beep will sound if you press FEED more than seven times.
- After specifying a block, press ON LINE to register your selection and exit the Dot Alignment Adjust Mode.

The dots alignment adjustment setting you selected is stored in printer memory and a pattern is printed using the selected setting followed by the message “Adjust Complete!” The printer ejects the paper after printing is complete.



Note: Your setting is not registered if you turn off printer power before pressing ON LINE to exit the Dot Alignment Adjust Mode. If a paper feed error occurs during this mode, the printer ejects the paper and this mode is cancelled.

8. Optional Near-end Sensor

The near-end sensor detects when the roll of paper loaded in it is reaching the end. The near-end sensor is normally disabled when the printer is shipped from the factory, but it can be enabled by your dealer using the memory switch. The information in this chapter applies only to printers whose near-end sensor is enabled.

Important!

Installation of the near-end sensor should normally be left to your dealer.

8-1. Adjusting the Near-end Sensor

Use the following procedure to adjust the near-end sensor so it is compatible with the size of roll paper you are using.

Important!

Regardless of the overall diameter of the paper roll, the heavy paper core at the center of the roll must have an inside diameter of 12 mm and an outside diameter of 18 mm for proper detection.

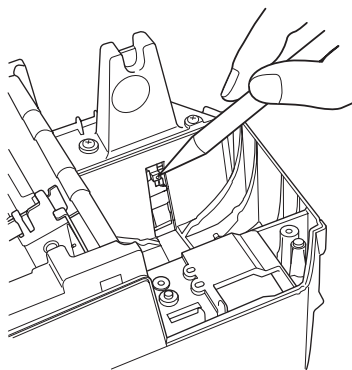


Fig. 8-1

- ① Make sure that the printer is turned off and unplugged from its power outlet.
- ② Remove the printer cover.
- ③ Remove the roll paper.

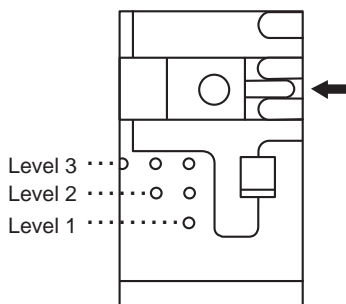


Fig. 8-2

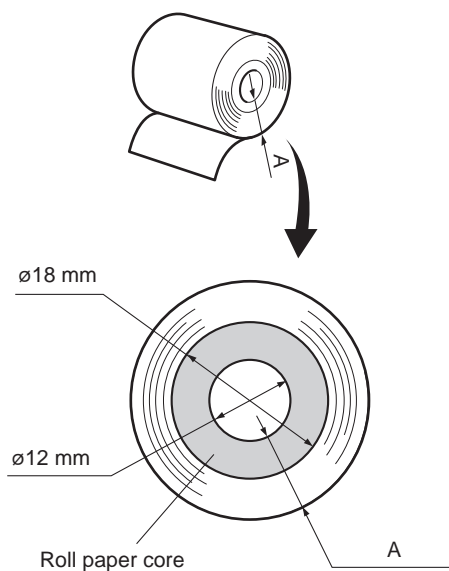


Fig. 8-3

- ④ Determine the diameter of the roll paper you are using and find the required setting in the table below.

Distance A	Setting	Indicator
Approximate 9 mm	Level 3	ooo
Approximate 7 mm	Level 2	oo
Approximate 5 mm	Level 1 *1	o

*1 Cannot be used with 2 and 3 ply.

Note:

1. Since the distance A corresponding to the adjustment position on the chart is a calculated value, there may be variations due to the actual mechanism.
 2. If there is an end mark at the end of a roll of paper, that end mark is an adhesive that may lift the entire roll of paper. In such a case, the remaining roll paper amount (Distance A) shown in the chart above will not apply.
 3. The quality of some paper may cause it to become jammed. This can result in erroneous detection.
- ⑤ Insert the tip of a ballpoint pen or similar pointer object into the hole of the adjuster. While pressing the adjuster, slide it up or down to the setting you that matches the roll paper you are using.
- ⑥ Make sure the tab indicated by the arrow in the illustration is inside one of the grooves.

TABLE DES MATIERES

1. Introduction	33
2. Déballage et inspection	34
2-1. Déballage	34
2-2. Emplacement de l'imprimante	35
2-3. Précautions de manipulation	35
2-4. Entretien	35
3. Identification des pièces et nomenclature	36
4. Adaptateur secteur en option	38
5. Raccordement	40
5-1. Installation du tore de ferrite	40
5-2. Raccordement à l'ordinateur hôte (interface série)	41
5-3. Raccordement à l'ordinateur hôte (interface parallèle)	42
5-4. Raccordement d'un appareil périphérique	42
6. Installation d'une cartouche à ruban et chargement du papier	44
6-1. Modèle SP2300	44
6-2. Modèle SP2500	47
6-3. Enlèvement d'un rouleau de papier	55
7. Panneau de commande	56
7-1. Fonctionnement de base	56
7-2. Erreurs	57
7-3. Utilisation des touches (Utilisation combinée des touches)	58
8. Capteur de fin de papier en option	62
8-1. Réglage du capteur de fin de papier	62
APPENDICE	128

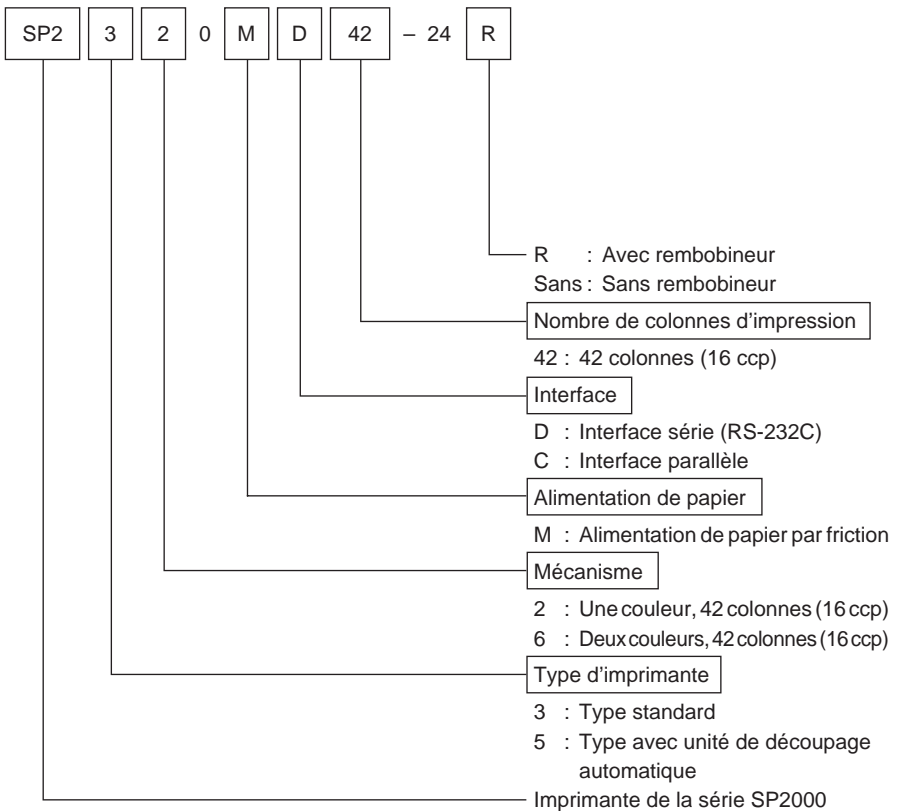
L'appendice n'est pas traduit.

1. Introduction

L'imprimante série à impact et matrice de points est conçue pour une utilisation avec des instruments électroniques tels que des terminaux de vente, du matériel bancaire, du matériel périphérique pour ordinateurs, etc.

Les caractéristiques principales des modèles de la série SP2000 sont les suivantes:

1. Impression bi-directionnelle à 3,1 lignes/sec. environ.
2. Interface série ou parallèle.
3. Tampon de données permettant à l'appareil de recevoir des données d'impression même pendant le travail d'impression.
4. Circuit de contrôle d'appareils périphériques permettant la commande de dispositifs extérieurs tels que des tiroirs-caisses.

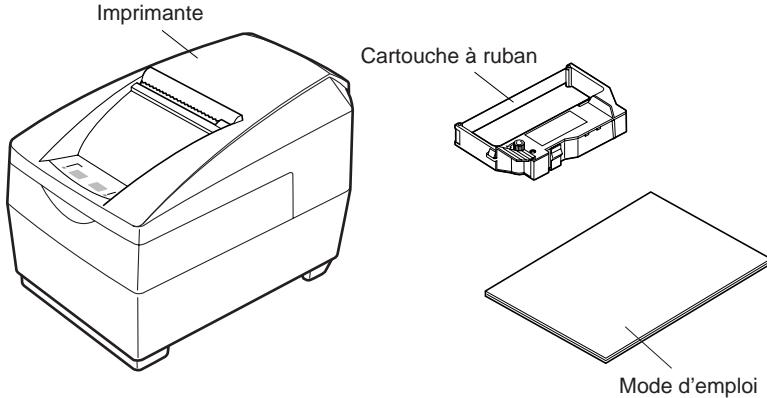


2. Déballage et inspection

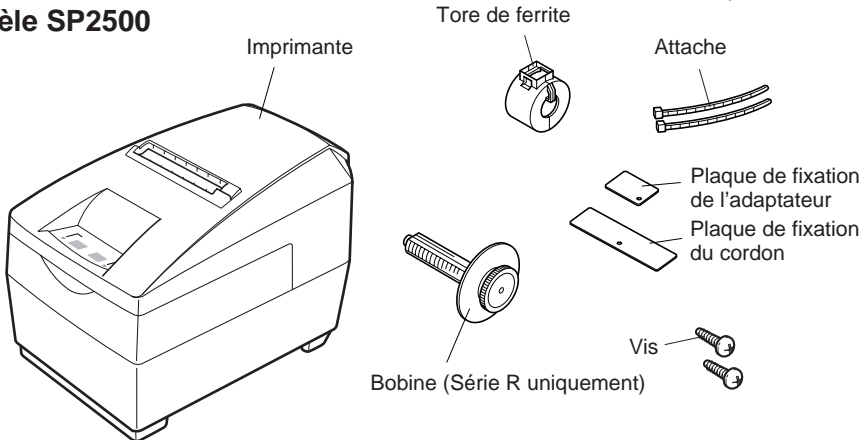
2-1. Déballage

Après avoir déballé l'appareil, vérifiez si tous les accessoires nécessaires se trouvent dans la boîte.

Modèle SP2300



Modèle SP2500



Remarque: La bobine est fournie uniquement avec les modèles de la série R (avec rembobineur). La bobine se trouve sous le capot de l'imprimante.

Fig. 2-1 Déballage

Si l'un des éléments mentionnés ci-dessus ne se trouve pas dans la caisse, adressez-vous au magasin où vous avez acheté l'imprimante et demandez que la pièce manquante vous soit fournie. Il est préférable de conserver la caisse d'origine ainsi que tous les emballages. Ceux-ci vous seront utiles s'il vous faut emballer l'imprimante ou la transporter.

2-2. Emplacement de l'imprimante

Pour installer correctement l'imprimante, gardez à l'esprit les conseils suivants:

1. Mettez l'imprimante à l'abri de températures excessivement élevées comme en plein soleil ou à proximité d'un appareil de chauffage, et à l'abri de l'humidité et de la poussière.
2. Installez l'imprimante sur une surface stable et de niveau sur laquelle l'imprimante ne sera pas soumise à des vibrations.
3. Veillez à ce que l'imprimante soit branchée sur une source secteur stable. Par exemple, ne pas brancher l'imprimante sur la prise secteur d'un circuit alimentant déjà un appareil électroménager gros consommateur de courant et producteur de parasites, tel qu'un réfrigérateur ou un climatiseur.
4. Veillez à ce que la tension du secteur corresponde bien à la tension spécifiée sur la plaque d'identification de l'imprimante.
5. Pour débrancher l'imprimante, la fiche doit être débranchée de la prise murale, et celle-ci doit être située à proximité de l'imprimante et facile d'accès.

2-3. Précautions de manipulation

1. Faites attention à ne pas laisser tomber de trombones, punaises ou autres objets dans l'imprimante. Un dysfonctionnement pourrait en résulter.
2. Ne pas essayer d'imprimer quand il n'y a pas de papier ou de cartouche à ruban dans l'imprimante. La tête d'impression pourrait être endommagée.
3. Ne pas ouvrir le capot pendant l'impression.
4. Ne pas toucher la tête d'impression immédiatement après un travail d'impression car elle devient très chaude.
5. Utilisez seulement un rouleau de papier dont l'extrémité n'est pas collée au tube central.
6. Quand le repère de fin de papier apparaît sur le papier, remplacez le rouleau de papier avant qu'il soit terminé.

2-4. Entretien

Avant tout, cette imprimante est un appareil robuste, mais un minimum de précautions sont à prendre pour éviter les dysfonctionnements. Par exemple:

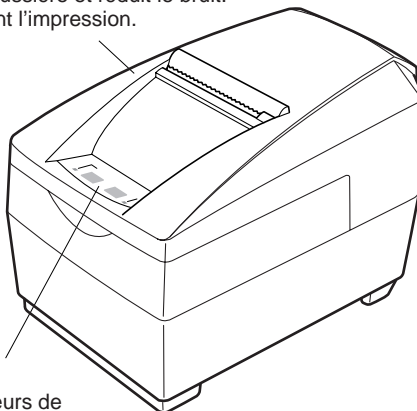
1. Laissez l'imprimante dans un environnement "confortable". En gros, si vous êtes à l'aise, l'environnement sera acceptable pour l'imprimante.
2. Ne pas soumettre l'imprimante à des chocs ou à des vibrations excessives.
3. Évitez les environnements excessivement poussiéreux. La poussière est l'ennemi de tous les appareils mécaniques de précision.
4. Pour nettoyer l'extérieur de l'imprimante, utilisez un chiffon légèrement imbibé d'eau ou d'alcool, mais ne laissez aucun liquide pénétrer à l'intérieur de l'imprimante.
5. L'intérieur de l'imprimante peut être nettoyé avec une petite brosse de nettoyage ou un aérosol à air comprimé (vendu à cet effet). Pendant cette opération, veillez à ne pas plier ni endommager les connexions ou les composants électroniques.

3. Identification des pièces et nomenclature

Modèle SP2300

Capot

Protège l'imprimante de la poussière et réduit le bruit.
Ne pas ouvrir le capot pendant l'impression.



Panneau de commande

Comprend deux commutateurs de commande et trois témoins indiquant le statut de l'imprimante.

Adaptateur secteur

Consulter la section suivante pour les instructions concernant son installation

Connecteur de pilotage d'appareils périphériques

Ce connecteur vous permet de raccorder l'imprimante à des appareils périphériques tels que des tiroirs-caisses, etc. Ne pas raccorder à un téléphone.

Connecteur d'interface

Ce connecteur vous permet de raccorder l'imprimante à l'ordinateur hôte.

Interrupteur d'alimentation

Cet interrupteur vous permet de mettre l'imprimante sous tension et hors tension.

Commutateurs DIP

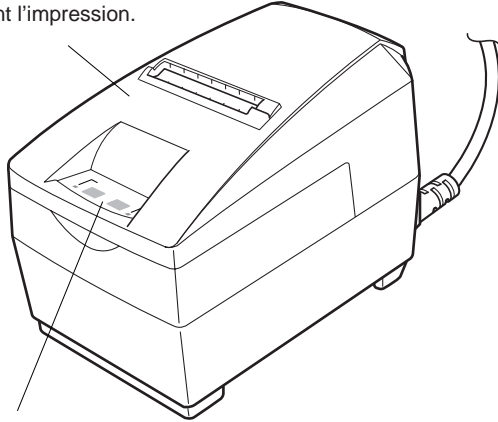
Ces commutateurs permettent d'effectuer divers réglages.

Fig. 3-1 Vue externe de l'imprimante (Modèle SP2300)

Modèle SP2500

Capot

Protège l'imprimante de la poussière et réduit le bruit.
Ne pas ouvrir le capot pendant l'impression.



Panneau de commande

Comprend deux commutateurs de commande et deux témoins indiquant le statut de l'imprimante.

Adaptateur secteur

Consulter la section suivante pour les instructions concernant son installation

Connecteur de pilotage d'appareils périphériques

Ce connecteur vous permet de raccorder l'imprimante à des appareils périphériques tels que des tiroirs-caisses, etc. Ne pas raccorder à un téléphone.

Connecteur d'interface

Ce connecteur vous permet de raccorder l'imprimante à l'ordinateur hôte.

Commutateurs DIP

Ces commutateurs permettent d'effectuer divers réglages.

Interrupteur d'alimentation

Cet interrupteur vous permet de mettre l'imprimante sous tension et hors tension.

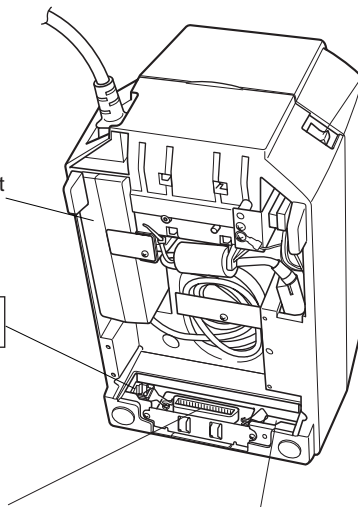


Fig. 3-2 Vue externe de l'imprimante (Modèle SP2500)

4. Adaptateur secteur en option

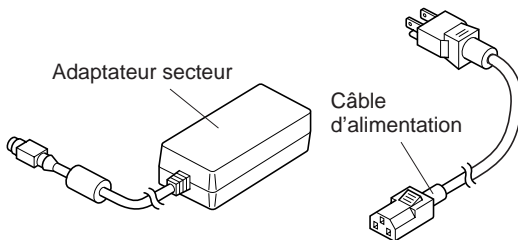
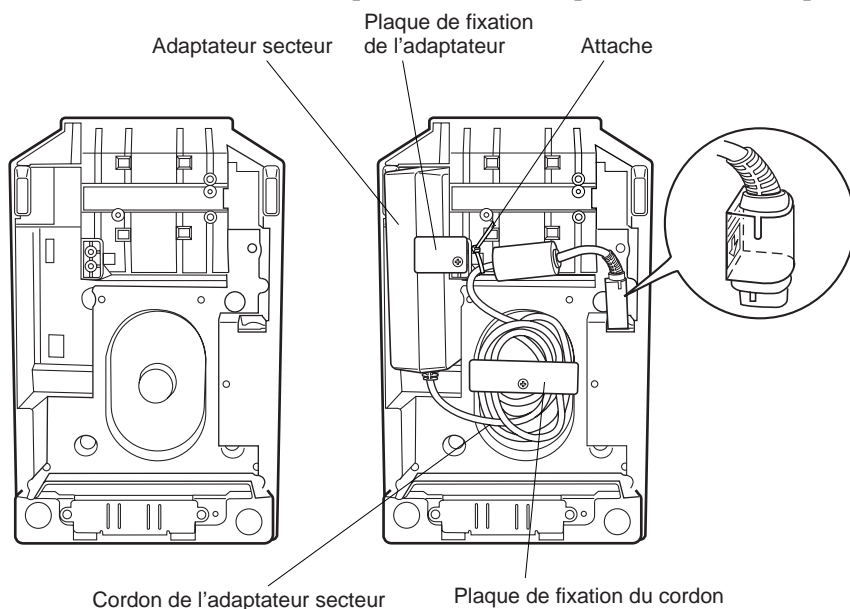


Fig. 4-1

Procéder de la manière suivante pour installer l'adaptateur secteur en option.



[Avant l'installation de l'adaptateur secteur] [Après l'installation de l'adaptateur secteur]

Fig. 4-2 Vue côté plat

- ① Retourner l'imprimante.
- ② Brancher le cordon de l'adaptateur secteur dans la prise comme illustré ci-dessous. Vérifier que le côté plat de la fiche soit tourné vers l'intérieur de l'imprimante.
- ③ Utiliser une des attaches en nylon livrées avec l'imprimante pour fixer le cordon au point marqué sur l'illustration.

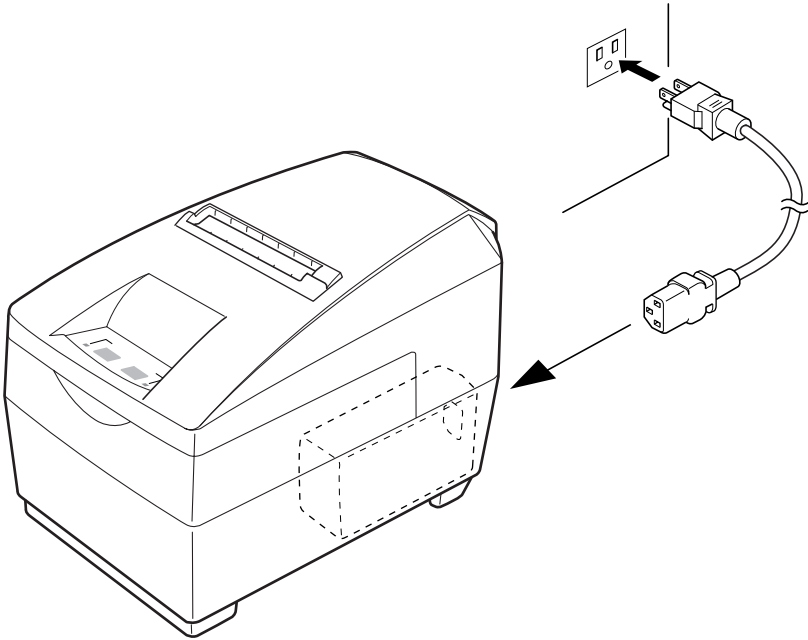


Fig. 4-3 Fixer le cordon ici

- ④ Enrouler le cordon de l'adaptateur secteur dans l'espace prévu et insérer l'adaptateur secteur dans son logement.
- ⑤ Utiliser la plaque de fixation de l'adaptateur et la visser pour caler l'adaptateur ; utiliser la plaque de fixation du cordon et la visser pour caler le cordon.
- ⑥ Retourner l'imprimante et la mettre à l'endroit.
- ⑦ Brancher la fiche femelle du cordon d'alimentation dans l'adaptateur secteur et brancher l'autre extrémité du cordon dans une prise de courant.

5. Raccordement

L'ordinateur communique les données à l'imprimante via le câble connecté à l'interface de l'imprimante (type de connecteur d'interface série : D-Sub à 25 broches ou type de connecteur d'interface parallèle : compatible Centronics à 36 broches). Ce câble n'est pas fourni avec l'imprimante. Vous devrez donc vous en procurer un.

Attention!

- Les instructions suivantes concernent le câble de connexion employé sur un ordinateur personnel compatible IBM. Notez que ces instructions ne s'appliquent pas à tous les types d'ordinateurs et de câbles. Si vous n'êtes pas sûr du type de câble adapté à votre ordinateur, demandez conseil à votre revendeur.
- Assurez-vous que l'imprimante est hors tension, qu'elle est débranchée de la prise secteur et que l'ordinateur est hors tension avant de les connecter.

5-1. Installation du tore de ferrite

- ① Fixez le tore de ferrite sur le câble comme illustré.

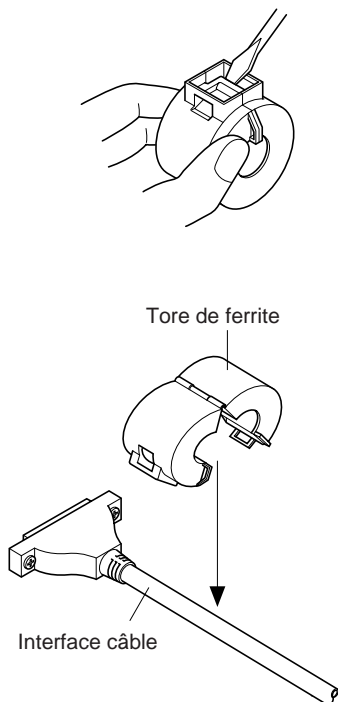


Fig. 5-1

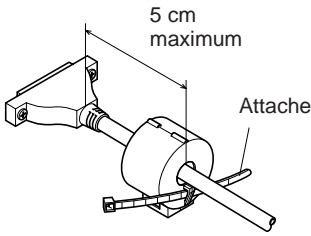


Fig. 5-2

- ② Passez l'attache dans le tore de ferrite.

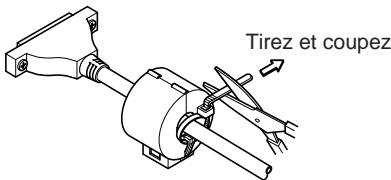


Fig. 5-3

- ③ Passez l'attache autour du tore de ferrite et serrez-la. Coupez l'extrémité de l'attache à l'aide de ciseaux.

5-2. Raccordement à l'ordinateur hôte (interface série)

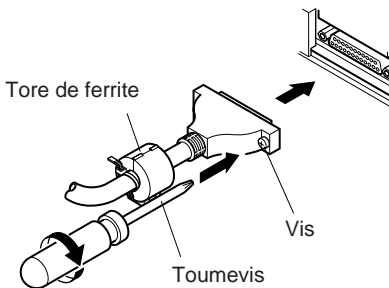


Fig. 5-4 Connexion du câble d'interface série

- ① Mettez l'ordinateur hôte et l'imprimante hors tension.
- ② Insérez un des connecteurs du câble d'interface dans la prise de l'imprimante et l'autre dans la prise de l'ordinateur hôte.
- ③ Serrez ensuite les vis droite et gauche des connecteurs pour les fixer aux prises.

5-3. Raccordement à l'ordinateur hôte (interface parallèle)

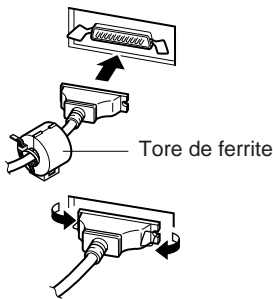


Fig.5-5 Connexion du câble d'interface parallèle

- ① Mettez l'ordinateur hôte et l'imprimante hors tension.
- ② Insérez un des connecteurs du câble d'interface dans la prise de l'imprimante comme indiqué dans le schéma, et fixez-le avec les fermoirs
- ③ Insérez l'autre connecteur du câble d'interface dans la prise de l'ordinateur hôte, puis fixez-le également avec les fermoirs.

5-4. Raccordement d'un appareil périphérique

Vous pouvez raccorder un appareil périphérique à l'imprimante à l'aide d'une fiche modulaire. Pour les détails sur le type de fiche modulaire à utiliser, reportez-vous à la page 142. Notez que le fil ou la fiche modulaires ne sont pas fournis avec l'imprimante. Vous devrez donc vous les procurer.

Attention!

Assurez-vous que l'imprimante est hors tension, qu'elle est débranchée de la prise secteur et que l'ordinateur est hors tension avant d'effectuer les connexions.

Fiche modulaire: MOLEX 90075-0007, AMP641337 ou JAPAN BURNDY B-66-4

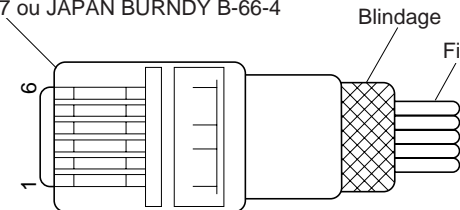


Fig. 5-6

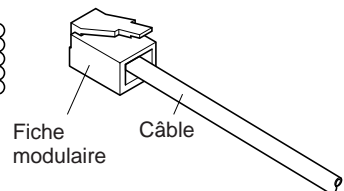
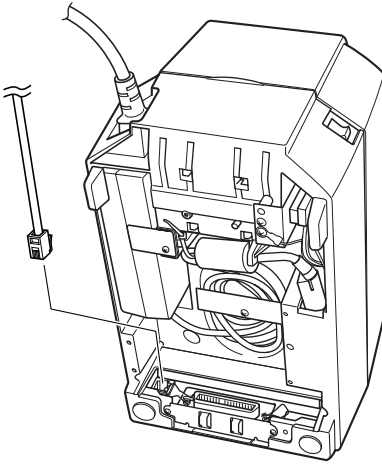


Fig. 5-7



- ① Raccordez une extrémité du câble modulaire à la prise modulaire du périphérique.
- ② Retirez le cache de prise modulaire au dos de l'imprimante, et raccordez l'autre extrémité du câble modulaire dans la prise de l'imprimante.

Fig. 5-8

Attention!

Ne connectez pas une ligne de téléphone au connecteur de pilotage d'appareils périphériques, sous peine de risquer d'endommager l'imprimante et la ligne de téléphone.

6. Installation d'une cartouche à ruban et chargement du papier

6-1. Modèle SP2300

6-1-1. Installation d'une cartouche à ruban

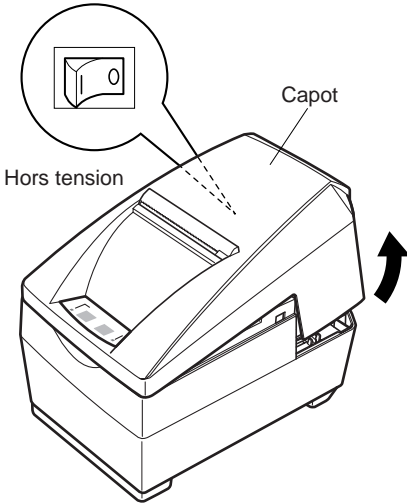


Fig. 6-1. Dépose du capot

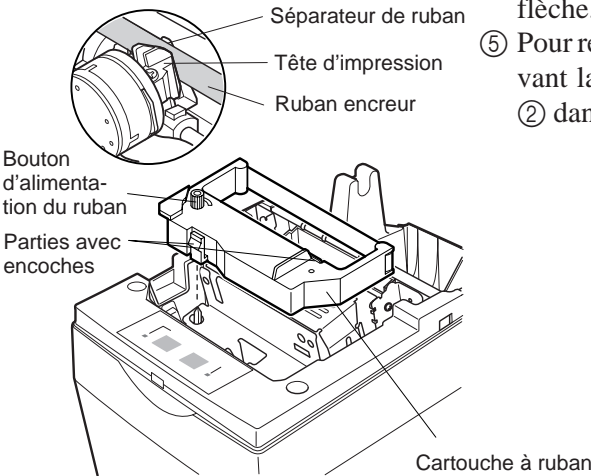


Fig. 6-2 Mise en place de la cartouche à ruban

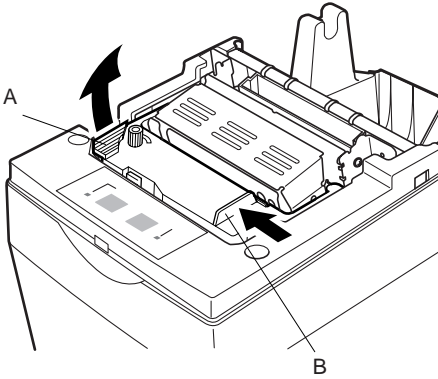


Fig. 6-3 Dégagement de la cartouche du ruban

Remarque: Pour enlever la cartouche à ruban, soulevez la partie A, puis enlevez la cartouche en la tenant par la partie B comme indiqué dans la figure 6-3.

6-1-2. Echargement du papier

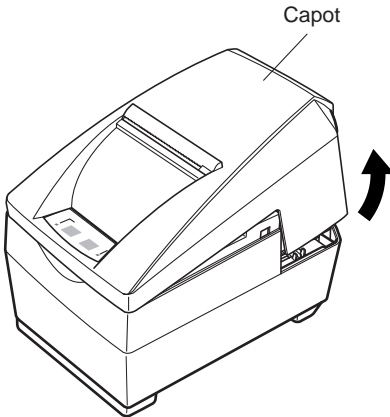


Fig. 6-4 Dépose du capot

- ① Soulevez le capot d'environ 3 cm. Tout en tenant le couvercle incliné à cet angle, tirez-le vers vous pour l'enlever.
- ② Coupez l'extrémité du papier perpendiculairement.
- ③ Vérifiez si l'imprimante est bien sous tension.

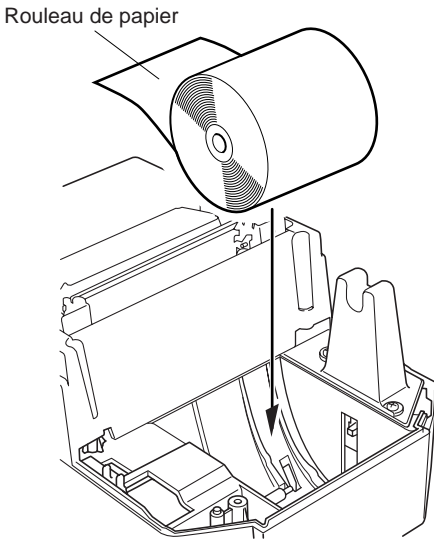


Fig. 6-5 Chargement du papier

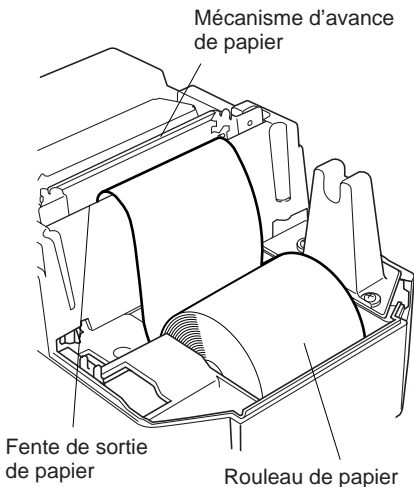


Fig. 6-6 Chargement du papier

- ④ En faisant attention au sens du rouleau, mettez le rouleau de papier en place dans le creux, comme indiqué dans la figure 6-5.

- ⑤ Insérer le bord du papier dans le mécanisme d'avance de papier. S'il est inséré correctement, le bord du papier ressortira par la fente de sortie de papier.
- ⑥ Insérez l'extrémité du papier dans la fente de sortie où se trouve la barre de découpage, puis remettez le capot en place en suivant la procédure de dépose du capot décrite à l'étape ① ci-dessus dans le sens inverse.

Remarque: Quand le repère de fin de papier apparaît sur le papier, remplacez le rouleau de papier avant qu'il soit terminé.

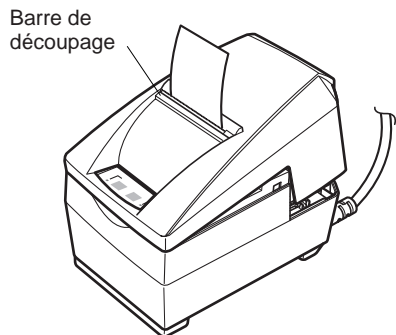


Fig. 6-7

6-2. Modèle SP2500

6-2-1. Installation d'une cartouche à ruban

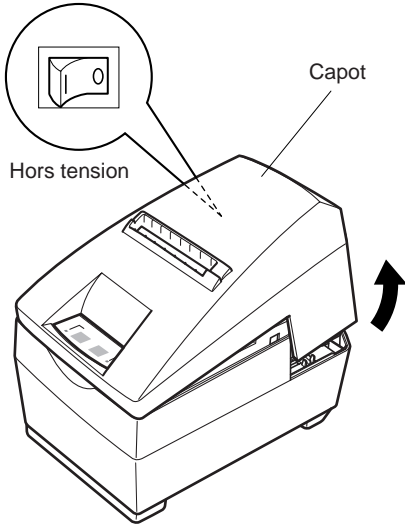


Fig. 6-8 Dépose du capot

- ① Mettez l'imprimante hors tension.
- ② Soulevez le capot d'environ 3 cm. Tout en tenant le couvercle incliné à cet angle, tirez-le vers vous pour l'enlever.

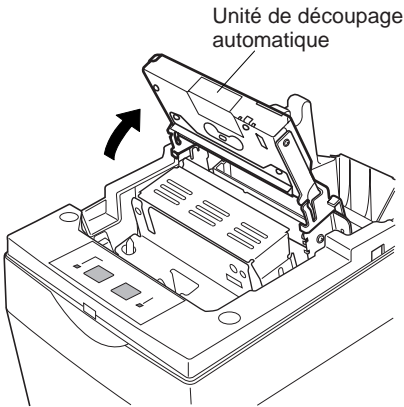


Fig. 6-9 Redressement de l'unité de découpage automatique

- ③ Soulevez l'unité de découpage automatique pour la mettre en position verticale, comme indiqué dans la figure 6-9.

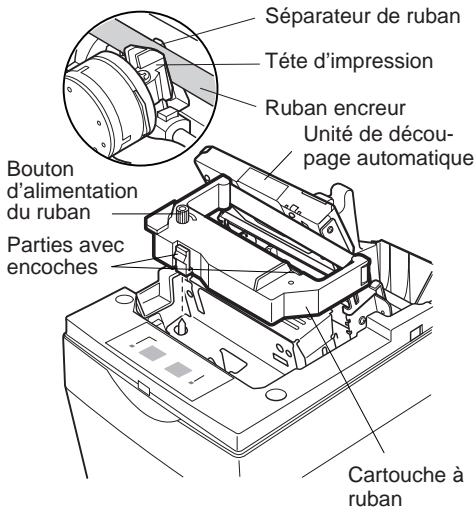


Fig. 6-10 Mise en place de la cartouche à ruban

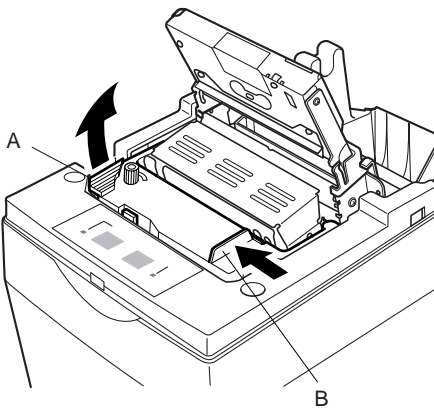


Fig. 6-11 Dégagement de la cartouche du ruban

- ④ Mettez la cartouche à ruban en place dans le sens indiqué dans la figure 6-10 et appuyez légèrement sur la cartouche afin qu'elle se mette en place. Si la mise en place de la cartouche n'est pas satisfaisante, appuyez sur la cartouche tout en faisant tourner le bouton d'alimentation du ruban de la cartouche dans le sens de la flèche.
- ⑤ Pour tendre le ruban, faites tourner le bouton d'alimentation du ruban de la cartouche dans le sens de la flèche.
- ⑥ Refermez l'unité de découpage automatique.
- ⑦ Pour remettre en place le capot, suivez la procédure décrite à l'étape ② dans le sens inverse.
- ⑧ Pour enlever la cartouche à ruban, soulevez la partie A, puis enlevez la cartouche en la tenant par la partie B comme indiqué dans la figure 6-11.

6-2-2. Chargement du papier

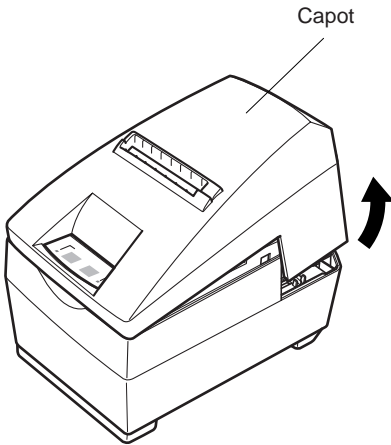


Fig. 6-12 Dépose du capot

- ① Soulevez le capot d'environ 3 cm. Tout en tenant le couvercle incliné à cet angle, tirez-le vers vous pour l'enlever.

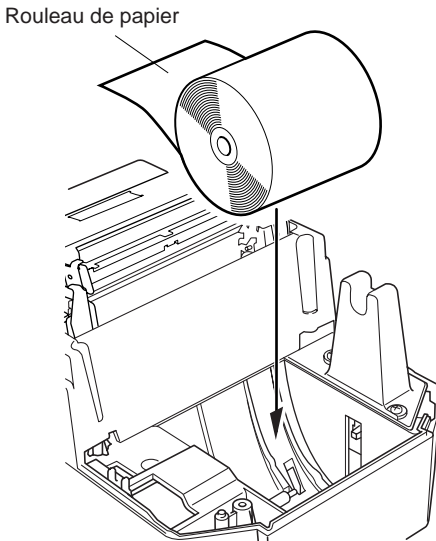


Fig. 6-13 Chargement du papier

- ② Coupez l'extrémité du papier perpendiculairement.
- ③ Vérifiez si l'imprimante est bien sous tension.
- ④ En faisant attention au sens du rouleau, mettez le rouleau de papier en place dans le creux, comme indiqué dans la figure 6-13.

[Avec une feuille de papier simple]

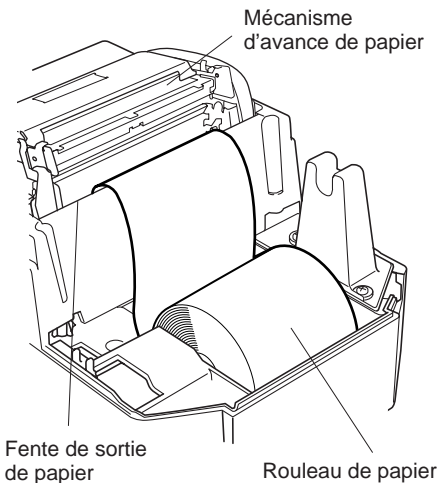


Fig. 6-14 Chargement du papier

- ⑤ Insérez l'extrémité du papier dans le mécanisme d'avance de papier. S'il est inséré correctement, le bord du papier passera par la fente de l'unité de découpe automatique. Le papier sera coupé une fois.
- ⑥ Enlevez le bout coupé et remettez le capot en place en suivant la procédure inverse de celle décrite à l'étape ①.

Remarque: Quand la marque de fin de papier apparaît sur le papier, remplacez le rouleau avant qu'il soit épuisé.

[Avec du papier pour copie]

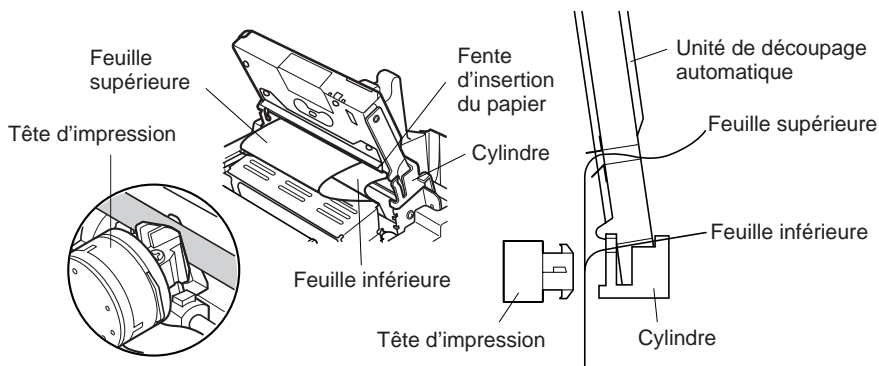


Fig. 6-15 Insertion du papier dans l'unité de découpe automatique (avec utilisation de papier pour copie)

- ⑤ Soulevez l'unité de découpe automatique pour la mettre en position verticale.
- ⑥ Insérez le bord du papier dans le mécanisme d'avance de papier. S'il est inséré correctement, le bord du papier ressortira par la fente de sortie de papier.

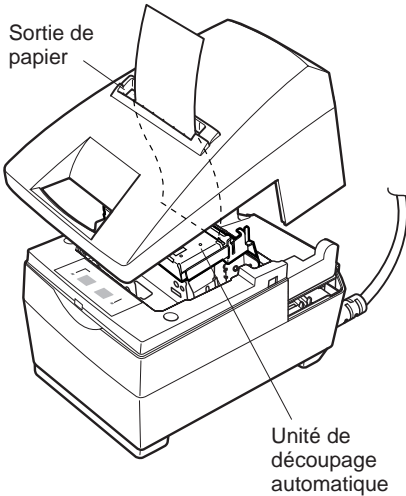


Fig. 6-16 Fente de sortie du cache avant

- ⑦ Insérez seulement l'original (feuille supérieure) dans la fente de l'unité de découpage automatique. Insérez le papier sur lequel vous souhaitez effectuer la copie (feuille inférieure) entre le cylindre et l'unité de découpage automatique.
- ⑧ Tirez sur l'extrémité du papier afin de tendre le papier, puis rabaissez l'unité de découpage automatique.
- ⑨ Insérez le papier dans la sortie de papier, puis remettez le capot en place en suivant la procédure de dépose du capot dans le sens inverse.

Remarque:

Quand le repère de fin de papier apparaît sur le papier, remplacez le rouleau de papier avant qu'il soit terminé.

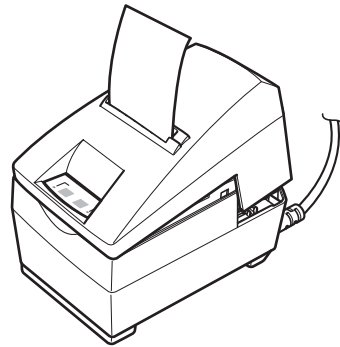


Fig. 6-17 Remise en place du capot

6-2-3. Rembobineur

Pour utiliser le rembobineur, procédez aux étapes ① à ⑧ de la section 6-2-2, puis poursuivez comme suit.

- ⑨ Faites sortir environ 20 cm de papier de la sortie de papier en appuyant sur la touche FEED.

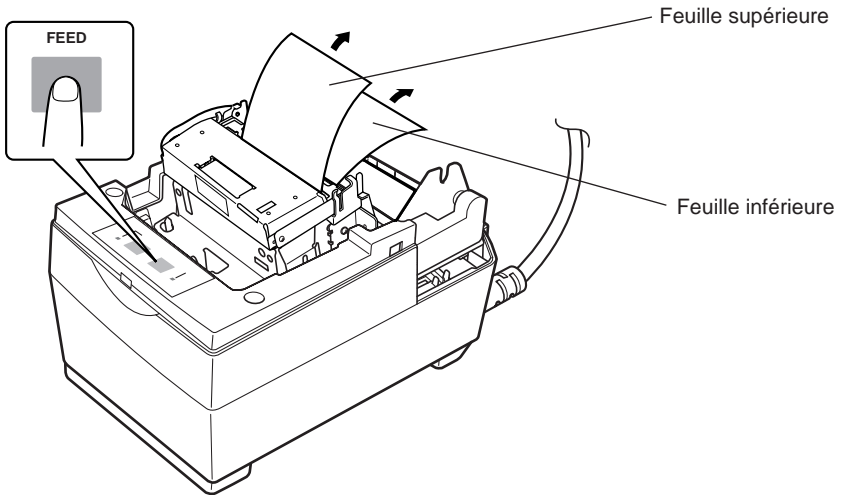


Fig. 6-18 Chargement du papier

- ⑩ Insérez l'extrémité du papier dans la fente de la bobine réceptrice et le rouleau de la façon indiquée ci-dessous. Faites attention à ce que le bord droit du papier soit bien contre le bord de la collerette.

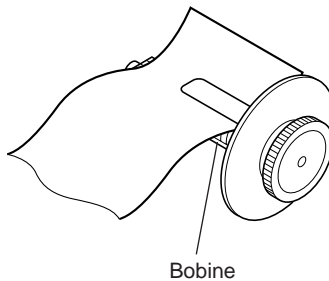


Fig. 6-19 Bobine

- ⑪ Enrouler le papier sur la bobine sur environ trois tours.

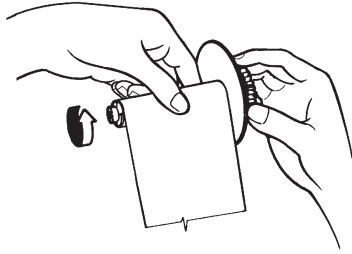


Fig. 6-20

- ⑫ Tenir le papier de sorte qu'il reste tendu et mettre la bobine en place de manière que le mécanisme de la bobine s'emboîte dans le mécanisme de l'imprimante.

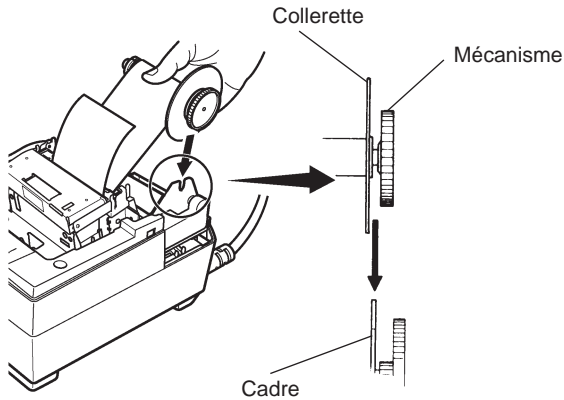


Fig. 6-21

- ⑬ Appuyez sur la touche [FEED] pour rembobiner le papier sur la bobine réceptrice.
Maintenez la touche [FEED] enfoncée jusqu'à ce le papier soit tendu.

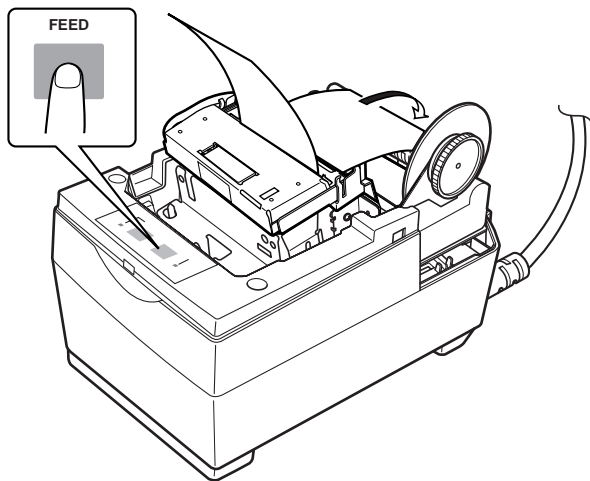


Fig. 6-22

- ⑭ Lorsque le rouleau est en place, remettre le couvercle de l'imprimante en faisant passer le bord de l'amorce de la feuille supérieure dans la fente du couvercle.

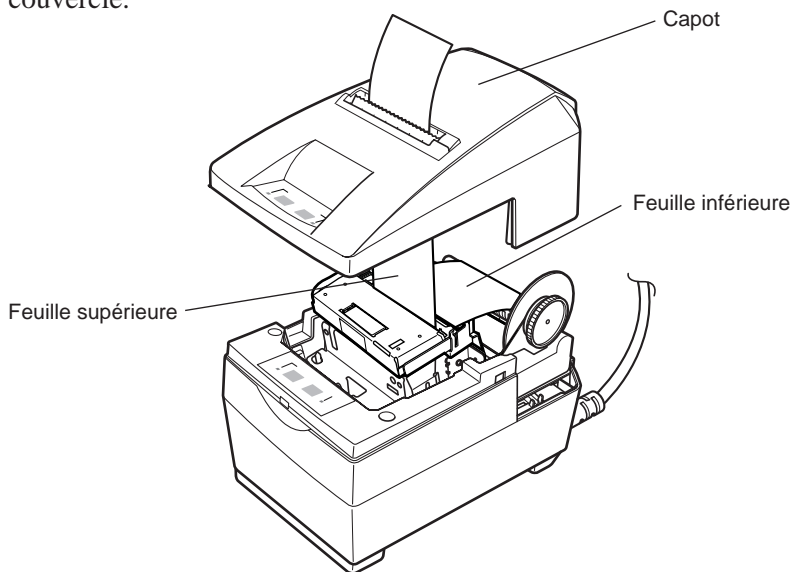


Fig. 6-23

6-3. Enlèvement d'un rouleau de papier

Retirez le capot, puis coupez le papier juste derrière le guide de papier et appuyez sur la touche d'avance FEED afin de faire sortir le reste du papier qui se trouve toujours dans l'imprimante.

Quand tout le papier est sorti, le témoin POWER clignote.

- Remarques:**
1. Enfoncez la touche d'avance FEED pour retirer le reste du papier qui se trouve dans l'imprimante.
 2. N'attendez pas que le rouleau de papier soit épuisé avant de le remplacer. Remplacez-le dès que le repère de fin de rouleau apparaît.

[Lorsque le rembobineur est utilisé]

Retirer la collerette ainsi que le rouleau de papier.

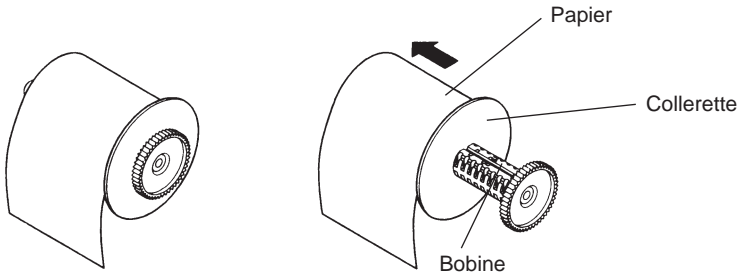


Fig. 6-24

7. Panneau de commande

7-1. Fonctionnement de base

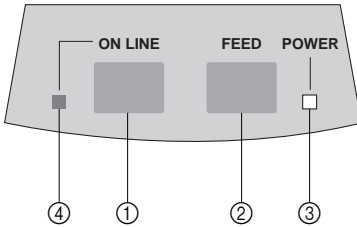


Fig. 7-1 Panneau de commande

- ① Touche ON LINE
Cette touche permet de mettre l'imprimante en ligne ou hors ligne. Vous ne pouvez effectuer cette commutation que si du papier est chargé dans l'imprimante.
- ② Touche d'avance FEED
- Si vous appuyez sur cette touche, puis la relâchez moins de 0,5 seconde après, le papier avancera d'une ligne à la fois.
 - Si vous maintenez la pression sur cette touche pendant plus de 0,5 seconde, le papier avancera de façon continue.
(Cela est valable que l'imprimante soit en ligne ou hors ligne.)

- ③ Témoin d'alimentation POWER (DEL verte)
LED allumée : L'imprimante est sous tension.
LED éteinte : L'imprimante est hors tension.
- ④ Témoin ON LINE (DEL verte)
DEL allumée : L'imprimante est en ligne
DEL éteinte : L'imprimante est hors ligne

7-2. Erreurs

Déterminez la nature de l'erreur en fonction du clignotement du témoin ou du son de la sonnerie.

Description de l'erreur	Témoin d'alimentation	Témoin en ligne	Sonnerie	Conditions de reprise
Pas de papier	Clignote à des intervalles d'une seconde	Éteint	4 bips courts (0,13 seconde) répétés deux fois	*1
Le rouleau de papier est presque épuisé (quand la fonction d'arrêt automatique en fin de rouleau est en service)	Clignote à des intervalles de 2 secondes	Éteint Allumé (après une pression sur le commutateur en ligne)	Rien	*2
Erreur mécanique (autre qu'une erreur de l'unité de découpage)	Clignote à des intervalles de 0,25 seconde	Éteint	Un bip court (0,13 seconde) et un bip long (0,5 seconde)	*3
Erreur de l'unité de découpage (sur les modèles avec unité de découpage seulement)	Clignote à des intervalles de 0,125 seconde	Éteint	Deux bip courts (0,13 seconde) et un bip long (0,5 seconde)	*3
Erreur de surcharge de commandes d'impression	Clignote à des intervalles de 0,5 seconde	Allumé	Rien	*4
Erreur de lecture/écriture de la mémoire vive	Éteint	Allumé	Rien	*5
Erreur du processeur	Éteint	Allumé	Retentit pendant 2 secondes	*5

- *1 Après avoir changé le papier, appuyez sur le commutateur en ligne.
- *2 Appuyez sur le commutateur en ligne pour continuer l'impression; ou changez le papier et appuyez sur le commutateur en ligne.
- *3 Après avoir remédié au bourrage de papier ou à un autre problème, appuyez sur le commutateur en ligne.
- *4 L'impression reprendra automatiquement après un certain temps. (La reprise est automatique après le refroidissement de la tête d'impression).
- *5 La reprise n'est pas possible avec cette erreur. Consultez un revendeur pour les réparations.

7-3. Utilisation des touches (Utilisation combinée des touches)

7-3-1. Test d'impression

FEED + **POWER ON** (Mettez l'imprimante sous tension tout en maintenant la touche FEED enfoncée.)

Le test d'impression sera effectué conformément au réglage du numéro de vérification, des commutateurs DIP et de l'ordre des caractères. Si vous maintenez la pression sur la touche FEED ou si vous appuyez sur la touche FEED à la fin du test d'impression, seuls les caractères seront imprimés à plusieurs reprises.

```
**** 52          1.1 ****

Memory Switch
      FEDCBA9876543210  HEX.
<0> 0000000000000000  0000
<1> 0000000000000000  0000
<2> 0000000000000000  0000
<3> 0000000000000000  0000
<4> 0000000000000000  0000
<5> 0000000000000000  0000
<6> 0000000000000000  0000

<0> 4 = Model : Standard
* <1> 4 = Zero Style : Normal Zero
* <1> 0-3 = Inter. Char : USA
  <2> 0-1 = Near End : Invalid
* <3> 0-B = Character Set : Normal
  <3> 0-1 = <CR> code : * Ignore
  <4> 9 = Buffer Size : 4K bytes
  <6> F = PD Sig. : PE
  <6> 9 = Busy Cond. : Some
```

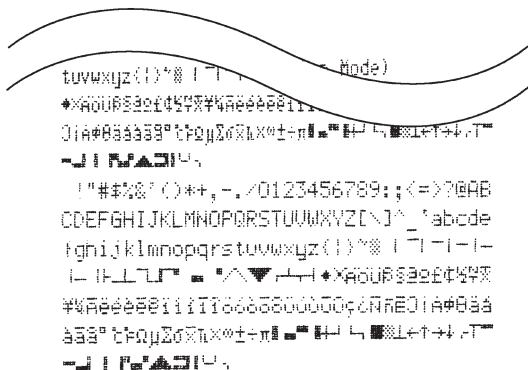


Fig. 7-2 Exemple d'impression d'essai
(quand l'imprimante est utilisée avec l'interface série)

7-3-2. Vidage hexadécimal

ON LINE + **POWER ON** (Mettez l'imprimante sous tension tout en maintenant la touche **ON LINE** enfoncée.)

Chacun des signaux envoyés de l'ordinateur à l'imprimante sera imprimé en code hexadécimal.

Cette fonction vous permet de vérifier si un code de contrôle envoyé à l'imprimante par le programme utilisé est correct ou non. La dernière ligne n'est pas imprimée si les données correspondantes ne remplissent pas une ligne complète. Néanmoins, si vous appuyez sur la touche ON LINE pour mettre l'imprimante hors ligne, la dernière ligne sera imprimée. Pour sortir de ce mode, il est nécessaire de mettre l'imprimante hors tension.

```
00 01 02 03 04 05 06 07      .....
08 09 0A 0B 0C 0D 0E 0F      .....
10 11 12 13 14 15 16 17      .....
18 19 1A 1B 1C 1D 1E 1F      .....
20 21 22 23 24 25 26 27      !"#$%&'
28 29 2A 2B 2C 0A             ()*+.,
```

Fig. 7-3 Exemple d'impression d'essai avec vidage hexadécimal

7-3-3. Réglage de l'alignement des points

Vous n'aurez peut-être jamais besoin d'effectuer les réglages décrits dans cette section, mais près avoir utilisé l'imprimante pendant un certain temps, vous remarquerez peut-être que les points de certains graphiques ne sont pas alignés correctement. Ainsi par exemple, ce qui devrait être imprimé comme ceci :

```
  H H H
 H H H
 H H H
```

pourrait être imprimé comme cela :

```
 H H H
 H H H
 H H H
```

ou encore comme cela

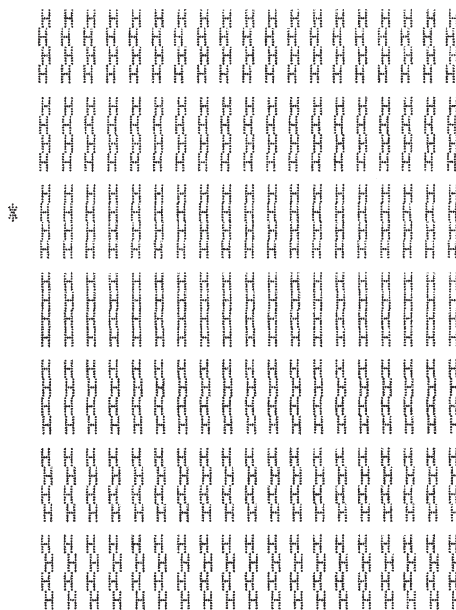
```
 H H H
 H H H
 H H H
```

Ce problème est causé par un décalage des pièces mécaniques de l'imprimante. Ce problème est relativement rare et il est possible que vous ne le rencontriez jamais. Si toutefois vous rencontrez ce problème, suivez les instructions ci-dessous afin de le corriger.

- Mettez l'imprimante sous tension et introduisez un morceau de papier.
- Mettez l'imprimante hors tension.
- Tout en maintenant les touches ON LINE et FEED du tableau de commande enfoncées, remettez l'imprimante sous tension afin d'activer le mode de réglage d'alignement des points, qui est signalé par le clignotement du témoin POWER.

Une fois le mode de réglage d'alignement des points activé, l'imprimante imprime sept blocs de caractères de la manière indiquée ci-dessous, chacun représentant un réglage d'alignement des points. Un astérisque (*) à gauche des blocs vous indique le réglage sélectionné.

Dot Alignment Adjust Mode

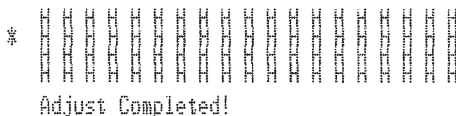


- Utilisez la touche FEED pour spécifier le bloc dont l'alignement des caractères semble optimal. Appuyez une fois sur FEED pour spécifier le premier bloc, deux fois pour spécifier le deuxième bloc, et ainsi de suite jusqu'à sept fois pour spécifier le septième bloc.

Un avertisseur sonore fait entendre si vous appuyez plus de sept fois sur la touche FEED.

- Après avoir spécifié un bloc, appuyez sur ON LINE pour sauvegarder votre sélection et quitter le mode de réglage d'alignement des points.

Le réglage d’alignement des points que vous avez sélectionné est sauvegardé dans la mémoire, et l’imprimante imprime une série de lignes graduées correspondant à l’état d’impression sélectionné, suivie du message “Adjust Completed!”, vous indiquant que le réglage est terminé. L’imprimante éjecte ensuite le morceau de papier fort.



Remarque: Votre réglage ne sera pas sauvegardé si vous mettez l’imprimante hors tension avant d’appuyer sur ON LINE pour quitter le mode de réglage d’alignement des points. En cas d’erreur d’alimentation de papier dans ce mode, l’imprimante éjecte le papier et le mode est annulé.

8. Capteur de fin de papier en option

Le capteur détecte lorsque le rouleau chargé arrive presque à la fin du papier. Ce capteur est normalement désactivé à la sortie d'usine mais on peut l'activer à l'aide de l'interrupteur de mémoire (ou s'adresser à son revendeur). Les informations contenues dans le présent chapitre concernent uniquement les imprimantes dont le capteur de détection de fin de papier est activé.

Attention!

L'installation du capteur de fin de papier doit normalement être effectuée par le revendeur.

8-1. Réglage du capteur de fin de papier

Procéder de la manière suivante pour régler le capteur de fin de papier de sorte qu'il soit compatible avec les dimensions du rouleau de papier utilisé.

Attention!

Quel que soit le diamètre global du rouleau de papier, le rouleau intérieur (en carton) se trouvant au centre doit avoir un diamètre intérieur de 12 mm et un diamètre extérieur de 18 mm pour permettre une détection adéquate.

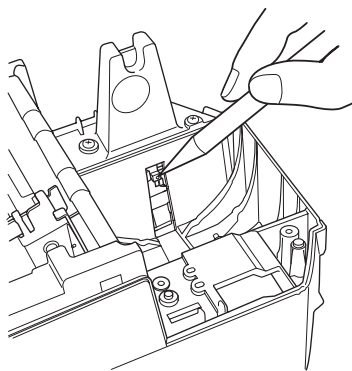


Fig. 8-1

- ① Vérifier si l'imprimante est hors tension et débranchée de la prise secteur.
- ② Retirer le couvercle de l'imprimante
- ③ Retirer le rouleau de papier.

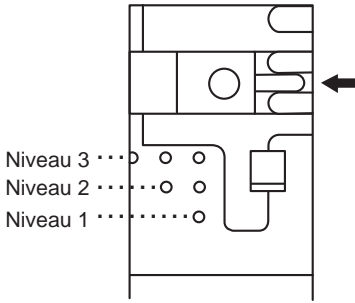


Fig. 8-2

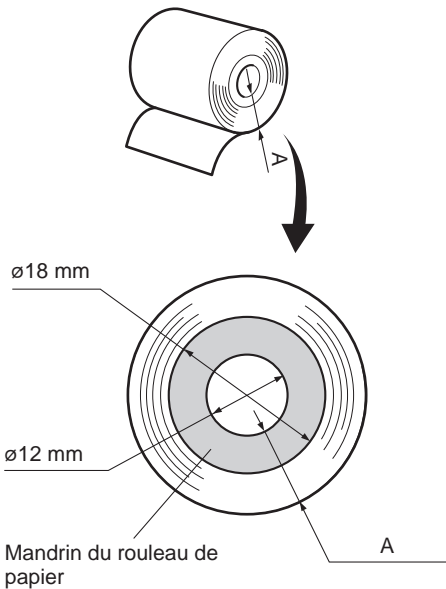


Fig. 8-3

- ④ Définir le diamètre du rouleau de papier utilisé et situer le réglage correspondant dans le tableau ci-dessous.

Distance A	Réglage	Indicateur
Environ 9 mm	Niveau 3	ooo
Environ 7 mm	Niveau 2	oo
Environ 5 mm	Niveau 1 *1	o

*1 Ne pas utiliser avec des papiers à 2 ou 3 exemplaires.

Remarque:

1. Etant donné que la distance A correspondant à la position de réglage sur le tableau est une valeur calculée, certaines variations dues au mécanisme peuvent se produire.
 2. Lorsqu'il y a une marque finale à la fin du rouleau de papier, cette marque est adhésive et peut soulever tout le rouleau de papier. Dans ce cas, la quantité restante du rouleau de papier (Distance A) indiquée dans le tableau ci-dessus n'est pas d'application.
 3. La qualité de certains papiers peut provoquer des bourrages et causer une détection d'erreur.
- ⑤ Insérer la pointe d'un stylo à bille ou d'un objet pointu similaire dans l'orifice du curseur de réglage. Appuyer sur le curseur et le faire glisser vers le haut ou vers le bas jusqu'au réglage correspondant au rouleau de papier utilisé.
- ⑥ Vérifier si le taquet indiqué par la flèche sur l'illustration se trouve inséré dans une des rainures.

INHALTSVERZEICHNIS

1. Kurzbeschreibung	65
2. Auspacken und Aufstellen	66
2-1. Überprüfen	66
2-2. Wahl eines Aufstellungsorts für den Drucker	67
2-3. Hinweise zum Umgang	67
2-4. Wartung	67
3. Beschreibung und Bezeichnung der Geräteteile	68
4. Als Sonderzubehör erhältlicher Netzadapter	70
5. Anschließen	72
5-1. Anbringen des Ferritkerns	72
5-2. Anschließen an den Hostcomputer (serielle Schnittstelle)	73
5-3. Anschließen an den Hostcomputer (parallele Schnittstelle)	74
5-4. Anschluß an ein Peripheriegerät	74
6. Einlegen von Farbbandkassette und Papier	76
6-1. Typ SP2300	76
6-2. Typ SP2500	79
6-3. Entfernen des Rollenpapiers	87
7. Bedienfeld	88
7-1. Grundlegender Betrieb	88
7-2. Fehler	89
7-3. Tastenbedienung (kombinierte Tastenbedienung)	90
8. Als Sonderzubehör erhältlicher Papierende-Sensor	94
8-1. Den Papierende-Sensor einstellen	94
ANHANG	128

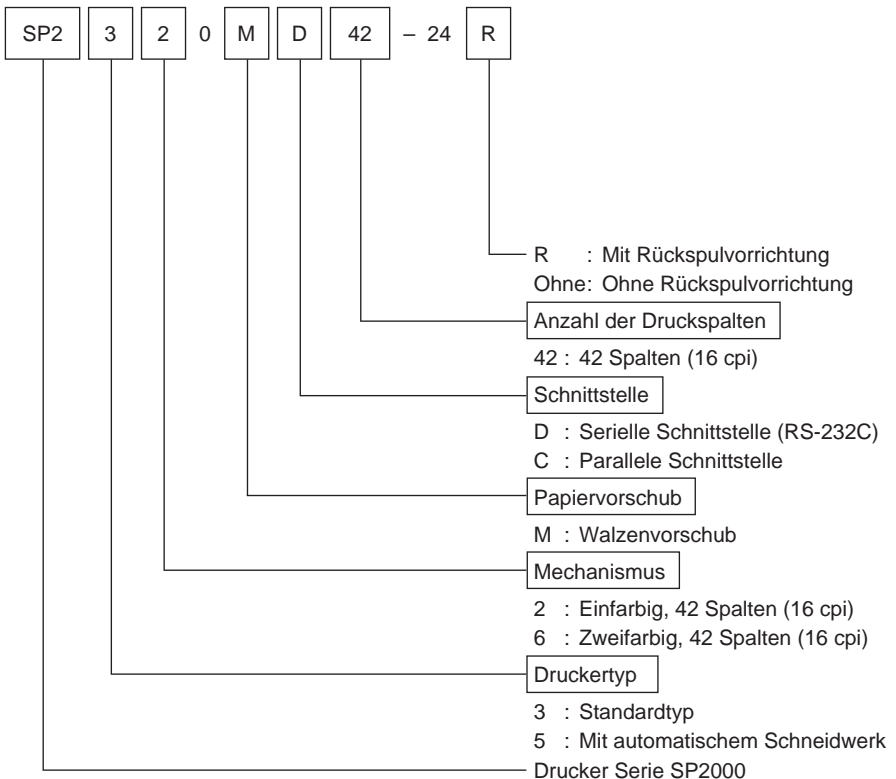
Der Anhang dieser Bedienungsanleitung ist nur in englischer Sprache.

1. Kurzbeschreibung

Der serielle Nadeldrucker der Serie SP2000 ist zur Verwendung mit elektronischen Instrumenten wie POS, Bankgeräte, Computerzubehör, etc. gedacht.

Die wichtigsten Merkmale der Serie SP2000 sind:

1. Bidirektioneller Druck mit ca. 3,1 Zeilen/s
2. Serielle oder parallele Schnittstelle
3. Pufferspeicher erlaubt, Druckdaten auch während des Druckvorgangs zu empfangen.
4. Peripherie-Steuerschaltung zur Steuerung von externen Geräten wie Registrierkassen:

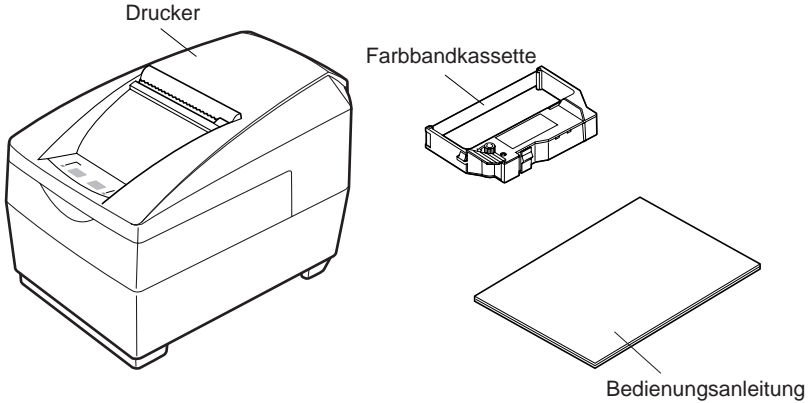


2. Auspacken und Aufstellen

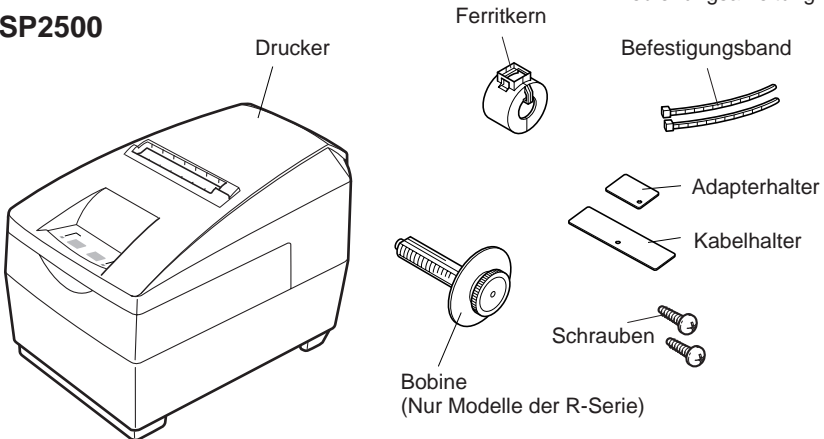
2-1. Überprüfen

Sie den Kartoninhalt, und vergewissern Sie sich, daß alle unten abgebildeten Teile vorhanden sind.

Typ SP2300



Typ SP2500



Hinweis: Die Bobine gehört nur zum Lieferumfang der Modelle der R-Serie (mit Rückspulvorrichtung) und befindet sich unterhalb der Drucker-Abdeckung.

Abb. 2-1 Auspacken

Falls Teile fehlen, wenden Sie sich zwecks Nachlieferung bitte an den Fachhandel, bei dem das Gerät gekauft wurde. Im Hinblick auf einen eventuellen zukünftigen Transport des Druckers empfiehlt es sich, den Lieferkarton und das gesamte Verpackungsmaterial aufzubewahren.

2-2. Wahl eines Aufstellungsorts für den Drucker

Bevor Sie den Drucker auspacken, sollten Sie einige Minuten damit verbringen, einen geeigneten Aufstellungsort auszusuchen. Denken Sie dabei an die folgenden Punkte:

1. Den Drucker vor Hitzequellen wie direktem Sonnenlicht oder Heizkörpern schützen und von Feuchtigkeit und Staub fernhalten.
2. Den Drucker auf einem flachen, aber festen Untergrund aufstellen, wo keine Vibrationen vorhanden sind.
3. Sicherstellen, daß der Drucker an eine einwandfreie Stromzufuhr angeschlossen ist. Er sollte nicht an Steckdosen angeschlossen werden, an denen bereits Geräte mit möglichen Netzstörungen wie Kopierer, Kühlschränke u.a. angeschlossen sind.
4. Die Versorgungsspannung muß dem Spannungswert auf dem Typenschild an der Unterseite des Druckers entsprechen.
5. Die verwendete Steckdose soll in der Nähe und frei zugänglich sein.

2-3. Hinweise zum Umgang

1. Achten Sie darauf, keine Papierclips oder anderen Fremdkörper in den Drucker fallen zu lassen. Diese können Betriebsstörungen oder Schäden am Gerät hervorrufen.
2. Versuchen Sie nicht zu drucken, wenn kein Papier oder keine Farbbandkassette eingelegt ist, da sonst der Druckkopf beschädigt werden kann.
3. Öffnen Sie nicht die Frontabdeckung während des Druckens.
4. Berühren Sie nicht den Druckkopf sofort nach dem Druckvorgang, da dieser sehr heiß wird.
5. Verwenden Sie nur Rollenpapier, das nicht am Rollenkern festgeklebt ist.
6. Wenn die Papierende-Markierung erscheint, tauschen Sie die Papierrolle aus, bevor sie ganz verbraucht ist.

2-4. Wartung

Ihr Drucker ist ein robust gebautes Gerät, sollte aber trotzdem mit einem gewissen Maß an Vorsicht behandelt werden, um Fehlfunktionen zu vermeiden. Zum Beispiel:

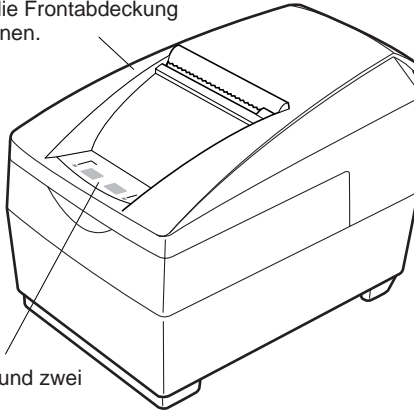
1. Stellen Sie den Drucker in einer "komfortablen" Betriebsumgebung auf. Als Faustregel gilt: Wo Sie sich wohlfühlen, fühlt sich der Drucker ebenfalls wohl.
2. Setzen Sie den Drucker keinen Erschütterungen oder starken Vibrationen aus.
3. Vermeiden Sie sehr staubige Umgebungen. Staub ist der Erzfeind aller Präzisionsgeräte.
4. Zum Reinigen des Gehäuses verwenden Sie einen nur leicht mit Wasser, sehr milder wässriger Seifenlösung oder ein wenig Alkohol angefeuchteten Lappen. Lassen Sie auf keinen Fall Flüssigkeiten in das Innere des Druckers geraten.
5. Das Innere des Druckers kann mit einem kleinen Reiniger oder einem Luftspray (in Fachgeschäften erhältlich) gereinigt werden. Bei dieser Arbeit darauf achten, keine Kabelverbindungen oder elektronische Bauteile zu verbiegen oder zu beschädigen.

3. Beschreibung und Bezeichnung der Geräteteile

Typ SP2300

Abdeckung

Schützt den Drucker vor Staub, und reduziert das Betriebsgeräusch. Nicht die Frontabdeckung während des Druckens öffnen.



Bedienfeld

Hat zwei Bedienungstasten und zwei Anzeigen zur Anzeige des Druckerzustands.

Netzadapter

Anweisungen für die Installation finden sich im nachstehenden Abschnitt.

Peripheriegerät-Steueranschluß

Zum Anschluß an Peripheriegeräte wie Registrierkassen etc. Nicht zum Anschluß an ein Telefon!

Schnittstellenbuchse

Zum Anschluß des Druckers an den Hostcomputer.

Netzschalter

Zum Ein- und Ausschalten des Druckers.

DIP-Schalter

Für verschiedene Geräteeinstellungen.

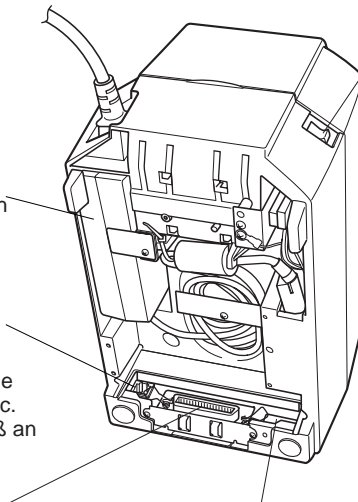
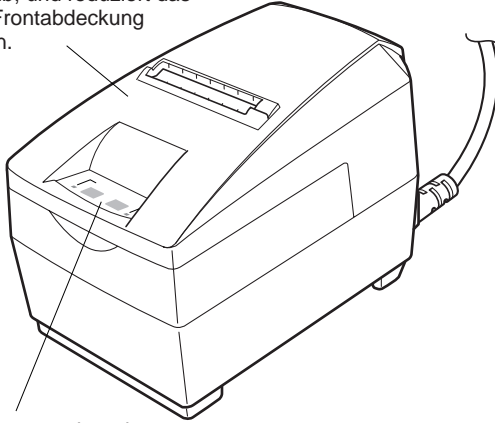


Abb. 3-1 Außenansicht des Druckers (Typ SP2300)

Typ SP2500

Abdeckung

Schützt den Drucker vor Staub, und reduziert das Betriebsgeräusch. Nicht die Frontabdeckung während des Druckens öffnen.



Bedienfeld

Hat zwei Bedienungstasten und zwei Anzeigen zur Anzeige des Druckerzustands.

Netzadapter

Anweisungen für die Installation finden sich im nachstehenden Abschnitt.

Peripheriegerät-Steueranschluß

Zum Anschluß an Peripheriegeräte wie Registrierkassen etc. Nicht zum Anschluß an ein Telefon!

Schnittstellenbuchse

Zum Anschluß des Druckers an den Hostcomputer.

Netzschalter

Zum Ein- und Ausschalten des Druckers.

DIP-Schalter

Für verschiedene Geräteeinstellungen.

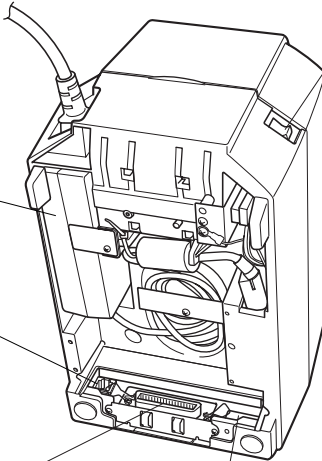


Abb. 3-2 Außenansicht des Druckers (Typ SP2500)

4. Als Sonderzubehör erhältlicher Netzadapter

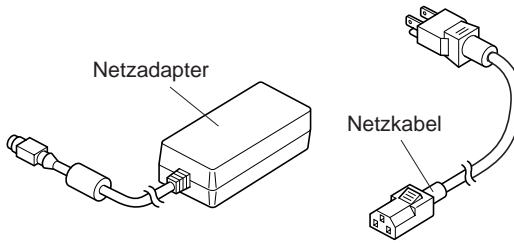
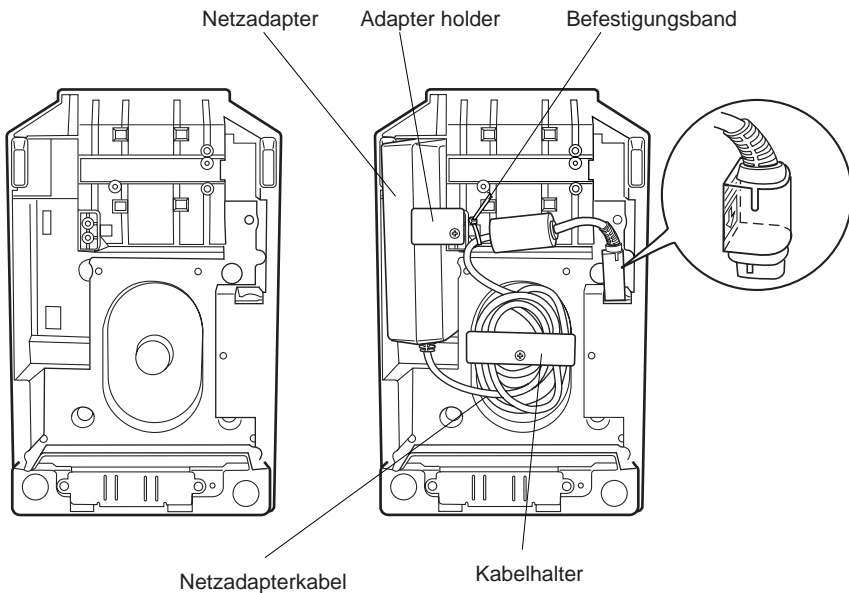


Abb. 4-1

Den als Sonderzubehör erhältlichen Netzadapter auf folgende Weise installieren.



[Vor Installation des Netzadapters]

[Nach Installation des Netzadapters]

Abb. 4-2 Ansicht der flachen Seite

- ① Den Drucker umlegen.
- ② Das Kabel des Netzadapters, wie in der nachstehenden Abbildung dargestellt, in die Buchse einstecken. Darauf achten, daß die flache Seite des Steckers in Richtung auf die Innenseite des Druckers zeigt.
- ③ Das Kabel mit einem der mit dem Drucker gelieferten Kunststoffhalter an dem in der Abbildung angezeigten Punkt befestigen.

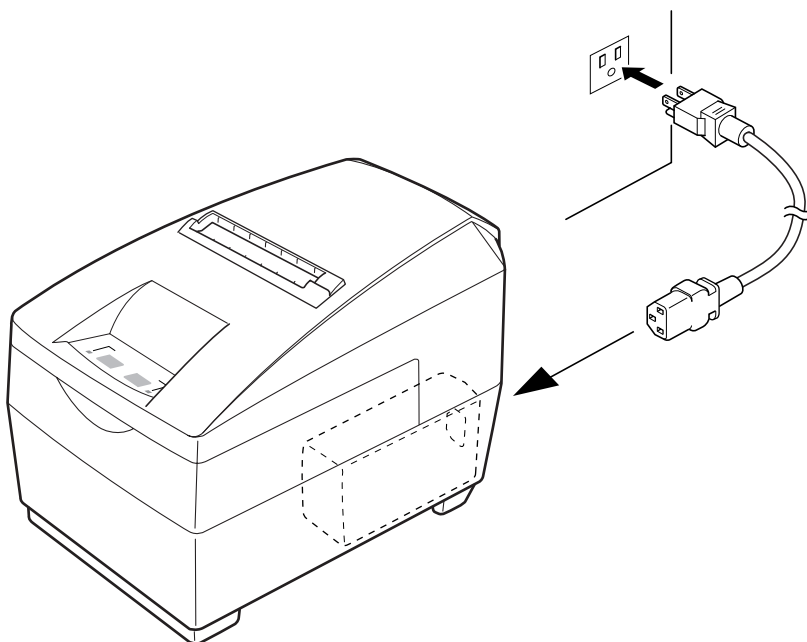


Abb. 4-3 Kabel hier befestigen

- ④ Das Kabel des Netzadapters in den dafür vorgesehenen Raum gewickelt einlegen und den Netzadapter in den dafür vorgesehenen Raum einlegen.
- ⑤ Den Netzadapter mit dem Adapterhalter und der Schraube und das Kabel mit dem Kabelhalter und der Schraube sichern.
- ⑥ Den Drucker wieder in Normalstellung aufrichten.
- ⑦ Die Buchsensteckverbindung des Netzkabels in den Netzadapter und die andere Seite in die Wandsteckdose einstecken.

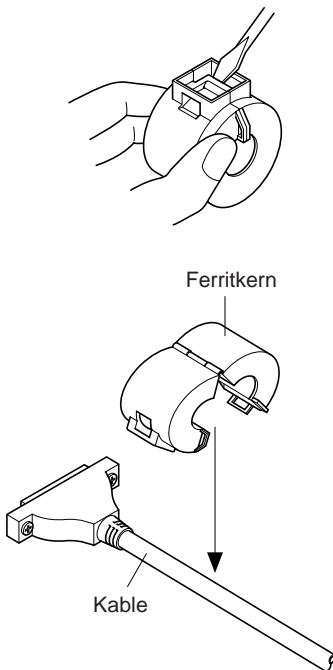
5. Anschließen

Die Datenübertragung vom Computer zum Drucker erfolgt über ein Kabel, das an die Schnittstelle des Druckers (serieller Anschluß, Typ D-sub, 25 polig bzw. paralleler Anschluß, Typ Centronics-kompatibel, 36 polig) angeschlossen wird. Das Kabel ist im Lieferumfang dieses Druckers nicht enthalten und muß getrennt gekauft werden.

Wichtig!

- Die folgende Anleitung bezieht sich auf das von IBM-kompatiblen PCs benutzte Kabel und ist deshalb nicht auf alle Computer und Kabel zutreffend. Wenden Sie sich bitte an Ihren Fachhändler, falls Sie Fragen hinsichtlich des für Ihren Computer geeigneten Kabeltyps haben.
- Vor dem Anschließen der Kabel sicherstellen, daß der Drucker ausgeschaltet und vom Netz getrennt ist.

5-1. Anbringen des Ferritkerns



- ① Befestigen Sie den Ferritkern am Kabel, wie das in der folgenden Abbildung gezeigt wird.

Abb. 5-1

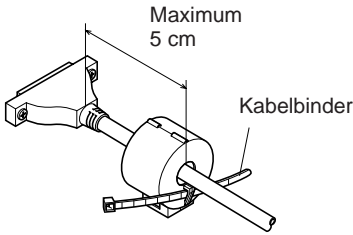


Abb. 5-2

- ② Führen Sie den Kabelbinder durch den Ferritkern.

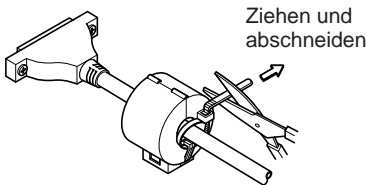


Abb. 5-3

- ③ Führen Sie den Kabelbinder um das Kabel und sperren Sie ihn. Schneiden Sie überschüssiges Band mit einer Schere ab.

5-2. Anschließen an den Hostcomputer (serielle Schnittstelle)

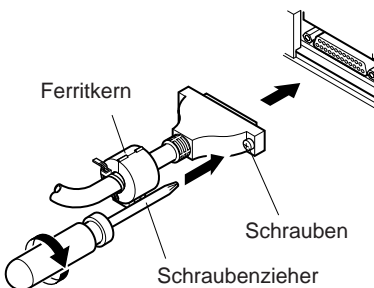


Abb. 5-4 Anschließen des Schnittstellenkabels

- ① Schalten Sie sowohl den Hostcomputer als auch den Drucker aus.
- ② Stecken Sie den Stecker des Schnittstellenkabels in die entsprechenden Buchsen am Drucker und am Hostcomputer ein.
- ③ Ziehen Sie die linken und rechten Schrauben an den Steckern fest, um den festen Sitz des Steckers zu sichern.

5-3. Anschließen an den Hostcomputer (parallele Schnittstelle)

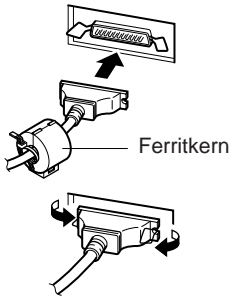


Abb.5-5 Anschließen des parallelen Schnittstellenkabels

- ① Schalten Sie sowohl den Hostcomputer als auch den Drucker aus.
- ② Stecken Sie einen Stecker des Schnittstellenkabels in die parallele Schnittstellenbuchse am Drucker, und klemmen Sie ihn mit den Haltebügel fest.
- ③ Stecken Sie den anderen Stecker des Schnittstellenkabels in die parallele Schnittstellenbuchse am Hostcomputer, und klemmen Sie ihn mit den Haltebügel fest.

5-4. Anschluß an ein Peripheriegerät

Es kann ein Peripheriegerät an den Drucker mit einem Modularstecker angeschlossen werden. Siehe "Modularstecker" auf Seite 142 für den Typ von Modularstecker, der dazu erforderlich ist. Beachten Sie, daß der Drucker nicht mit einem Modularstecker oder Kabel ausgestattet ist. Diese Teile müssen vom Anwender besorgt werden.

Wichtig!

Vor dem Anschließen der Kabel sicherstellen, daß der Drucker ausgeschaltet und vom Netz getrennt ist.

Modularstecker: MOLEX 90075-0007, AMP641337 oder JAPAN BURNDY B-66-4

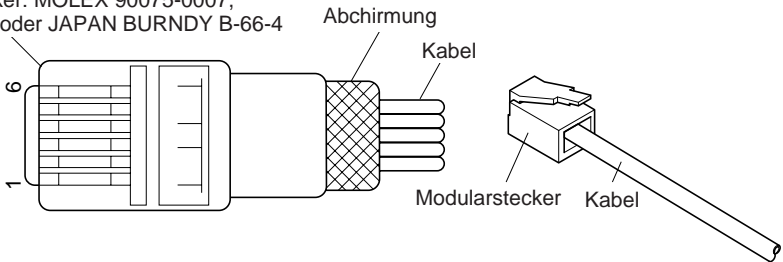
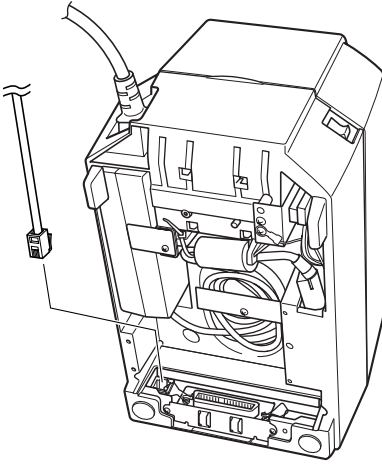


Abb. 5-6

Abb. 5-7



- ① Einen Stecker des Modularkabels in die Modularbuchse am Peripheriegerät stecken.
- ② Die Modularbuchsenabdeckung von der Rückseite des Druckers abnehmen, und den anderen Stecker des Modularkabels in die Modularbuchse am Drucker stecken.

Abb. 5-8

Wichtig!

Keine Telefonleitung an den Peripheriegerät-Steueranschluß anschließen. Wenn dies geschieht, besteht die Gefahr von Schäden am Drucker und an der Telefonleitung.

6. Einlegen von Farbbandkassette und Papier

6-1. Typ SP2300

6-1-1. Einlegen der Farbbandkassette

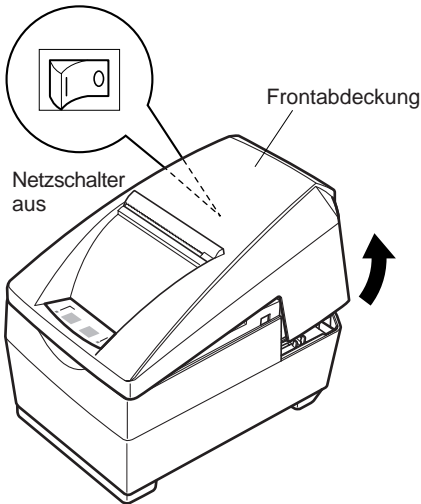


Abb. 6-1 Abdeckung abnehmen

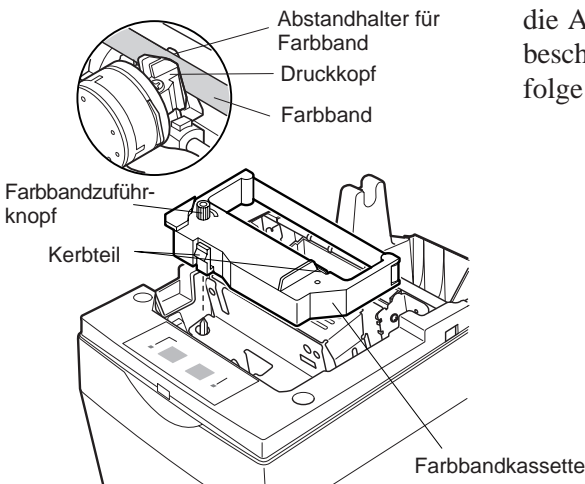


Abb. 6-2 Einlegen der Farbbandkassette

- ① Den Netzschalter am Drucker in Aus-Stellung stellen.
- ② Zum Abnehmen der Frontabdeckung diese ca. 3 cm anheben, und nach vorne ziehen.
- ③ Die Farbbandkassette in der Richtung einsetzen wie in der Abbildung 6-2 gezeigt und eindrücken, bis sie hörbar einrastet. Wenn die Farbbandkassette nicht richtig sitzt, eingedrückt halten und gleichzeitig den Farbbandknopf in Pfeilrichtung drehen.
- ④ Um Schlaufen im Farbband aufzuwickeln, den Farbbandzuführknopf der Farbbandkassette in Pfeilrichtung drehen.
- ⑤ Zum Anbringen der Frontabdeckung die Ausbauschritte wie in ② oben beschrieben in umgekehrter Reihenfolge ausführen.

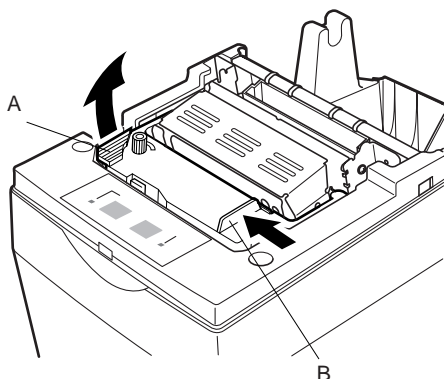


Abb. 6-3 Farbbandkassette ausbauen

Hinweis: Beim Entfernen der Farbbandkassette den Teil A anheben und dann die Kassette an Teil B halten und Abziehen wie in Abbildung 6-3 gezeigt.

6-1-2. Einlegen von Papier

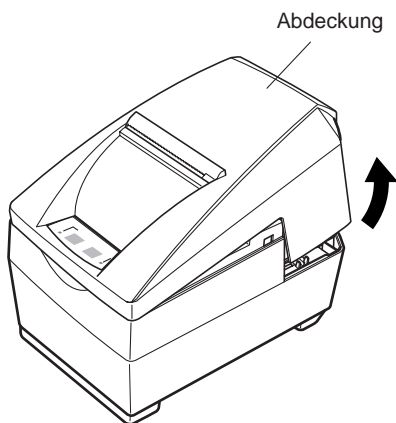


Abb. 6-4 Entfernen der Abdeckung

- ① Die Abdeckung um etwa 3 cm anheben. Die Abdeckung in diesem Winkel halten, und dann zum Entfernen nach vorne ziehen.
- ② Schneiden Sie die Vorderkante des Rollenpapiers in einer geraden Linie ab.
- ③ Bestätigen Sie, daß der Drucker eingeschaltet ist.

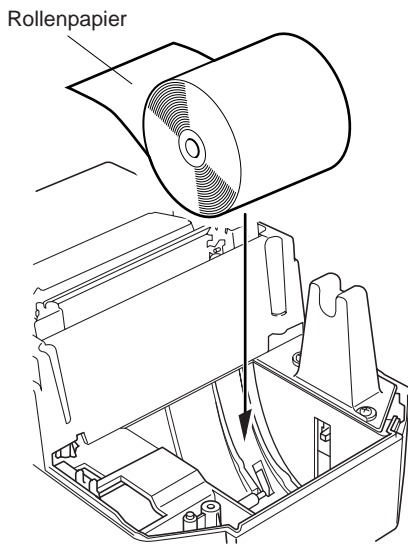


Abb. 6-5 Einlegen von Papier

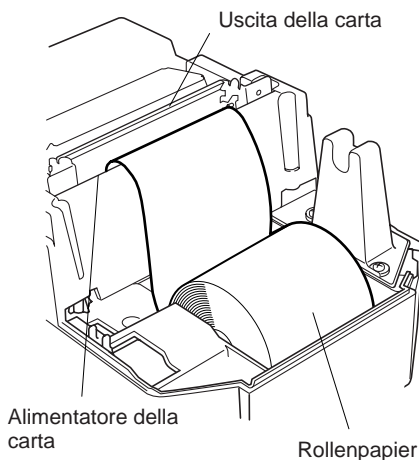


Abb. 6-6 Papier einlegen

④ Unter Beachtung der Richtung des Rollenpapiers das Rollenpapier in die Vertiefung setzen, wie in Abbildung 6-5 gezeigt.

⑤ Die Kante des Papiers in den Papiereinzug setzen. Wenn richtig eingesetzt, läuft die Kante des Papiers durch den Papierauflauf.

⑥ Führen Sie die Oberkante des Papiers in den Abreißkantenschlitz ein, und bringen dann die Abdeckung an, indem Sie die Ausbauschritte von Schritt ① oben in umgekehrter Reihenfolge ausführen.

Hinweis: Wenn die Papierendmarkierung auf dem Papier erscheint, das Rollenpapier austauschen, bevor es zu Ende geht.

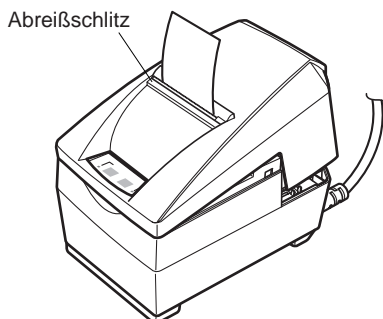


Abb. 6-7

6-2. Typ SP2500

6-2-1. Einlegen der Farbbandkassette

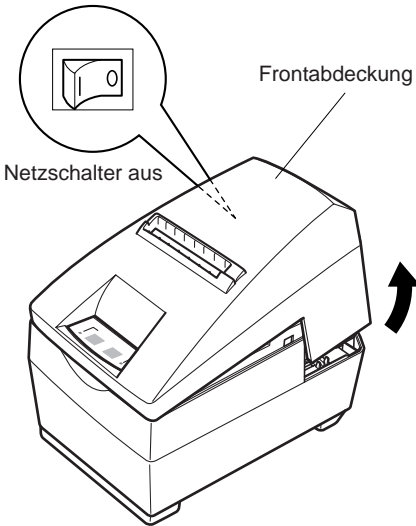


Abb. 6-8 Abdeckung abnehmen

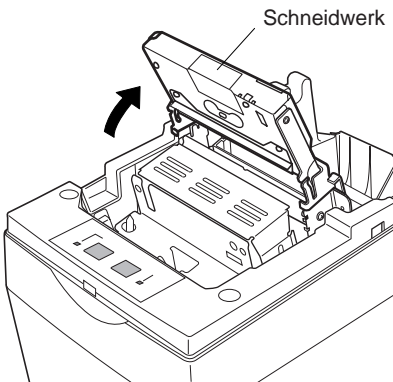


Abb. 6-9 Anheben des Schneidwerks

- ① Stellen Sie den Netzschalter am Drucker in Aus-Stellung.
- ② Zum Abnehmen der Frontabdeckung heben Sie diese ca. 3 cm an, und ziehen sie dann nach vorne.

- ③ Heben Sie das Schneidwerk an und stellen es in senkrechte Stellung, wie in Abbildung 6-9 gezeigt.

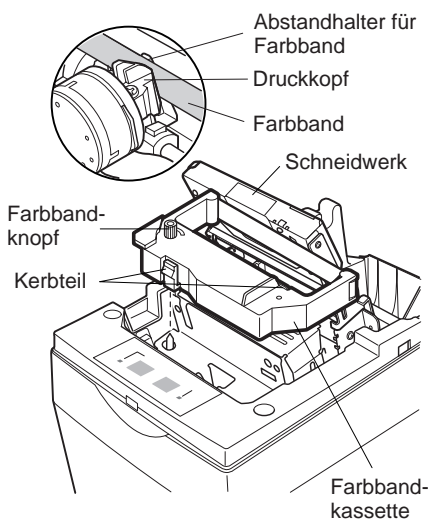


Abb. 6-10 Einlegen einer Farbbandkassette

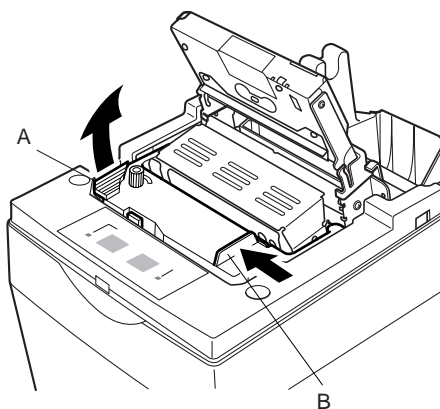
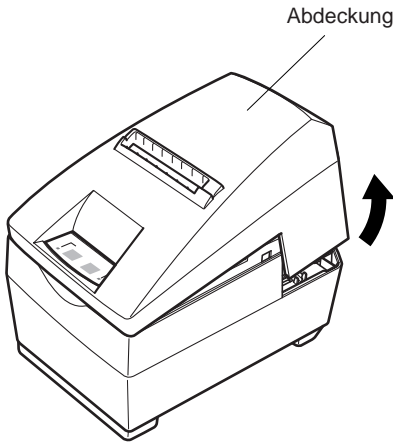


Abb. 6-11 Farbbandkassette ausbauen

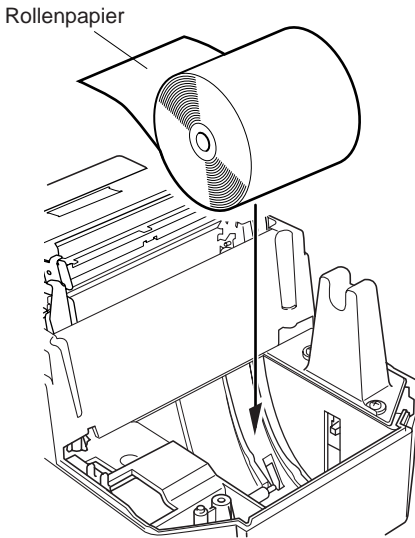
- ④ Die Farbbandkassette in der Richtung einsetzen wie in der Abbildung 6-10 gezeigt und eindrücken, bis sie hörbar einrastet. Wenn die Farbbandkassette nicht richtig sitzt, eingedrückt halten und gleichzeitig den Farbbandknopf in Pfeilrichtung drehen.
- ⑤ Um Schlaufen im Farbband aufzuwickeln, den Farbbandzuführknopf der Farbbandkassette in Pfeilrichtung drehen.
- ⑥ Das Schneidwerk schließen.
- ⑦ Zum Anbringen der Frontabdeckung die Ausbauschritte wie in ② beschrieben in umgekehrter Reihenfolge ausführen.
- ⑧ Beim Entfernen der Farbbandkassette den Teil A anheben und dann die Kassette an Teil B halten und Abziehen wie in Abbildung 6-11 gezeigt.

6-2-2. Einlegen von Papier



- ① Die Abdeckung um etwa 3 cm anheben. Die Abdeckung in diesem Winkel halten, und dann zum Entfernen nach vorne ziehen.

Abb. 6-12 Entfernen der Abdeckung



- ② Schneiden Sie die Vorderkante des Rollenpapiers in einer geraden Linie ab.
- ③ Bestätigen Sie, daß der Drucker eingeschaltet ist.
- ④ Unter Beachtung der Richtung des Rollenpapiers das Rollenpapier in die Vertiefung setzen, wie in Abbildung 6-13 gezeigt.

Abb. 6-13 Einlegen von Papier

[Bei Verwendung von einlagigem Papier]

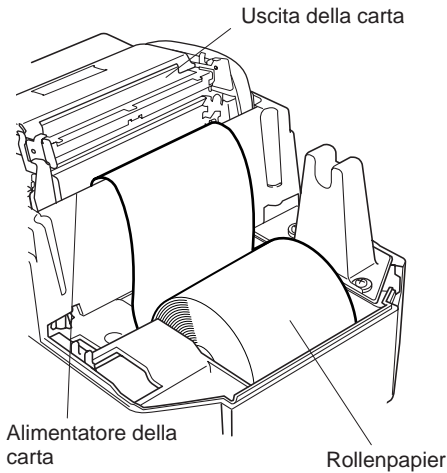


Abb. 6-14 Einlegen des Papiers

- ⑤ Die Papierkante in den Papierzug setzen. Wenn richtig eingesetzt, läuft die Papierkante durch den Schlitz des automatischen Papierabschneiders. Das Papier wird einmal abgeschnitten.
- ⑥ Die abgeschnittene Spitze entfernen, und den Deckel in umgekehrter Reihenfolge wie in Schritt ① beschrieben wieder anbringen.

Hinweis: Wenn die Papierende-Markierung auf dem Papier erscheint, das Rollenpapier ersetzen, bevor es verbraucht ist.

[Bei Verwendung von mehrlagigem Papier]

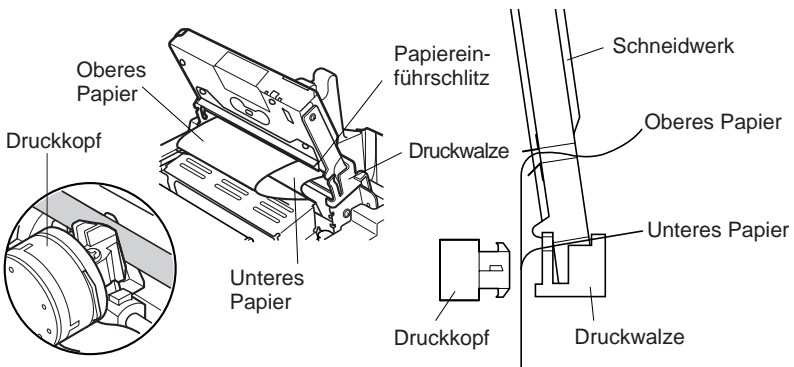


Abb. 6-15 Einführen des Papiers in das Schneidwerk (bei Verwendung von Durchschlagpapier)

- ⑤ Die automatische Papierabschneideeinheit heben und in senkrechte Stellung stellen.
- ⑥ Die Papierkante in den Papierzug setzen. Wenn richtig eingesetzt, läuft die Papierkante durch den Papierauslauf.

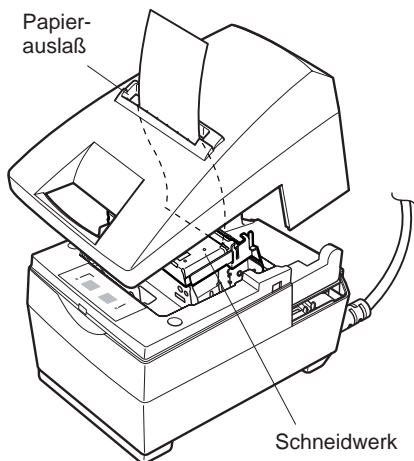


Abb. 6-16 Papierauslaß an der Frontabdeckung

- ⑦ Nur das Original (obere Papier) in den Schlitz des automatischen Abschneiders setzen. Das Papier auf dem kopiert werden soll (das untere Papier) zwischen Druckwalze und automatischen Abschneider setzen.
- ⑧ Ziehen Sie die Kante des Papiers-
tau, um Schlaufen zu beseitigen, und senken Sie dann das Schneidwerk ab.
- ⑨ Führen Sie das Papier durch den Papierauslaß, und setzen Sie dann die Abdeckung wieder auf, indem Sie die Ausbauschritte in umgekehrter Reihenfolge ausführen.

Hinweis:

Wenn die Papierendmarkierung auf dem Papier erscheint, das Rollenpapier austauschen, bevor es zu Ende geht.

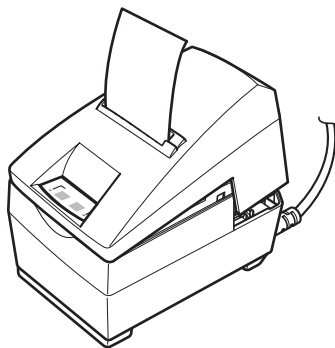


Abb. 6-17 Anbringen der Abdeckung

6-2-3. Rückspulvorrichtung

Zur Betätigung der Rückspulvorrichtung die Schritte ① bis ⑧ ausführen und dann wie folgt weiterfahren.

- ⑨ Die Papiervorschubtaste FEED drücken, bis der Anfang der Papierrolle etwa 20 cm aus dem Papierauslauf ausläuft.

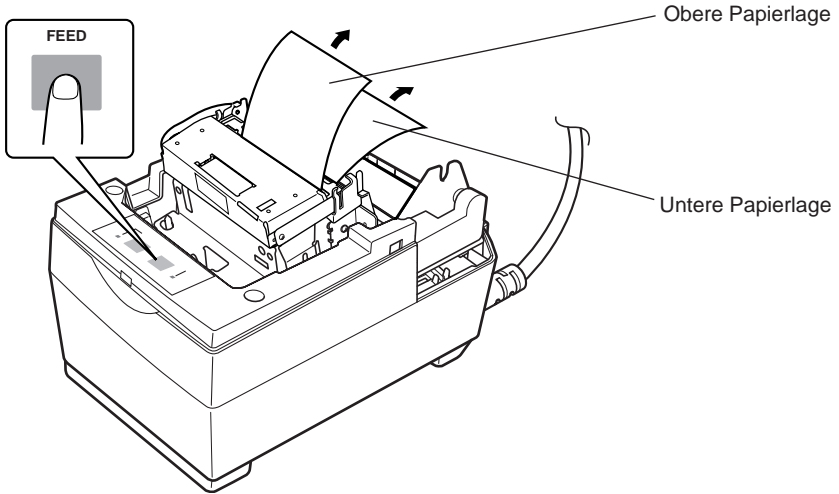


Abb. 6-18. Papier einlegen

- ⑩ Das Ende der Journalstreifenrolle, wie unten gezeigt, in den Schlitz der Aufwickelspule einführen. Hierbei darauf achten, daß die richtige Papierseite zum Spulenflansch weist.

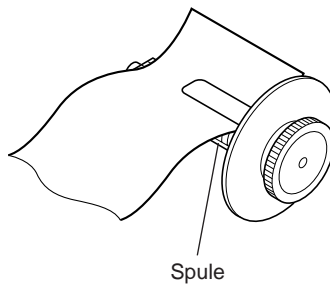


Abb. 6-19 Spule

- ⑪ Das Papier etwa drei Umdrehungen um die Spule wickeln.

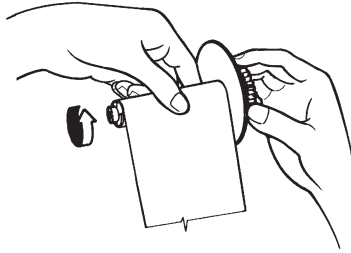


Abb. 6-20

- ⑫ Das Papier nach unten halten, damit es sich nicht lockern kann. Dabei gleichzeitig die Spule in Stellung bringen, so daß das Zahnrad auf der Spule und das Zahnrad im Inneren des Druckers ineinandergreifen.

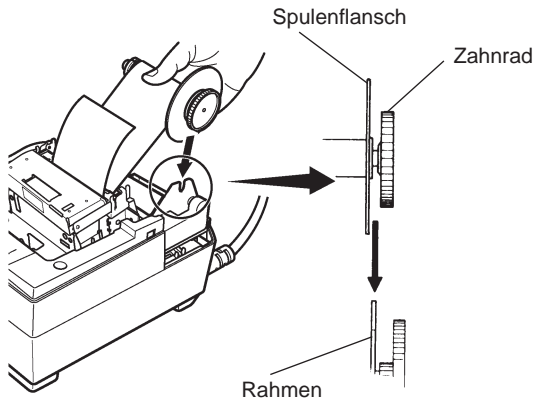


Abb. 6-21

- ⑬ Die Papiervorschubtaste [FEED] zum Aufwickeln des Papiers durch die Aufwickelspule drücken. Die Papiervorschubtaste [FEED] gedrückt halten, bis das Papier straff gewickelt ist.

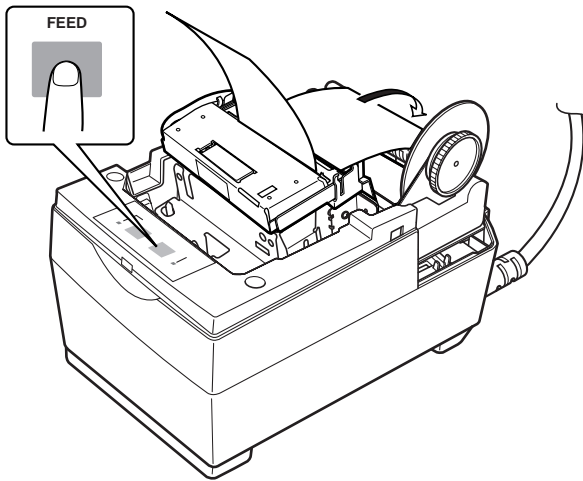


Abb. 6-22

- ⑭ Wenn alles so eingerichtet ist wie Sie es wünschen, die Abdeckung des Druckers wieder anbringen. Dabei gleichzeitig die Vorderkante der oberen Papierlage durch den Schlitz in der Abdeckung führen.

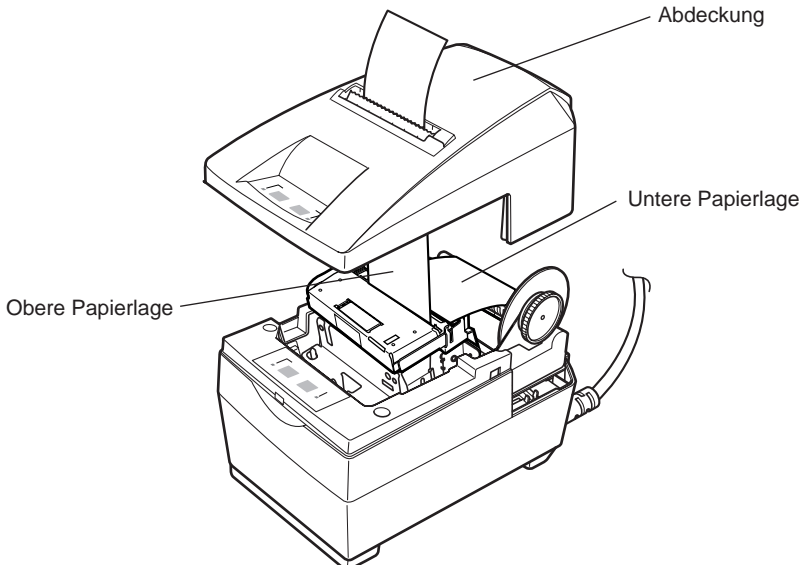


Abb. 6-23

6-3. Entfernen des Rollenpapiers

Nehmen Sie die Abdeckung ab, und schneiden Sie das Papier in der Nähe der Papierführung ab. Dann drücken Sie die FEED-Taste, um den Rest des Papiers auszugeben, der noch in der Einheit ist.

Wenn das Papier verbraucht ist, blinkt das Lämpchen POWER.

- Hinweis:**
1. Durch Drücken der FEED-Taste wird der Rest des noch im Drucker befindlichen Papiers ausgegeben.
 2. Wenn die Papier-Verbraucht-Markierung auf dem Papier erscheint, tauschen Sie die Rolle aus, bevor das Papier ganz zu Ende ist.

[Bei Verwendung der Rückspulvorrichtung]

Die Spule samt aufgewickeltem Papier entfernen.

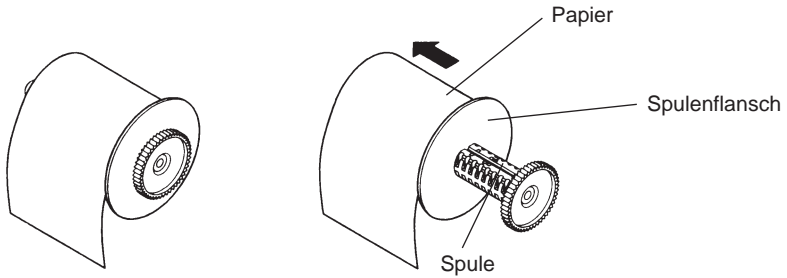


Abb. 6-24

7. Bedienfeld

7-1. Grundlegender Betrieb

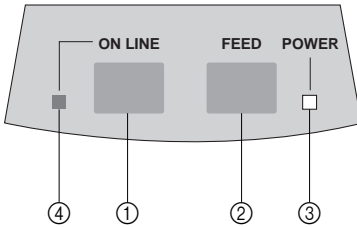


Abb. 7-1 Bedienfeld

① Taste ON LINE

Schaltet den Drucker zwischen On-line und Off-line Betrieb um. Umschalten ist nur möglich, wenn Papier im Drucker eingelegt ist.

② FEED-Taste

- Wenn diese Taste gedrückt und dann innerhalb von 0,5 s losgelassen wird, wird das Papier um eine Zeile vorgeschoben.
- Wenn diese Taste länger als 0,5 s gedrückt gehalten wird, wird das Papier kontinuierlich vorgeschoben. (Der obige Vorschubvorgang ist sowohl im On-line als auch im Off-line Betrieb möglich.)

③ Netzlämpchen POWER (grüne LED)

LED leuchtet : Stromversorgung für Drucker ist eingeschaltet.

LED erloschen : Stromversorgung für Drucker ist ausgeschaltet.

④ Lämpchen ON LINE (grüne LED)

LED leuchtet : Drucker im On-line-Betrieb

LED erloschen : Drucker im Off-line-Betrieb

7-2. Fehler

Die Art des Fehlers anhand der blinkenden Lampe oder des Signaltons bestimmen.

Fehlerbeschreibung	Betriebslämpchen	On-line-Lämpchen	Signaltongeber	Bedingungen zur Wiederherstellung
Kein Papier	Blinkt in 1-Sekunden-Intervallen	Aus	4 kurze Pieptöne (0,13 Sekunden) zweimal wiederholt	*1
Papierende der Rolle fast erreicht (wenn Fast-Ende-Stopp aktiviert ist)	Blinkt in 2-Sekunden-Intervallen	Aus Ein (nachdem On-line-Schalter gedrückt)	Kein	*2
Mechanischer Fehler (anderer als Schneidwerkfehler)	Blinkt in 0,25-Sekunden-Intervallen	Aus	Ein kurzer (0,13 s) und ein langer (0,5 s) Piepton	*3
Schneidwerkfehler (nur bei Modellen mit Schneidwerk)	Blinkt in 0,125-Sekunden-Intervallen	Aus	Zwei kurze (0,13 s) und ein langer (0,5 s) Piepton	*3
Druckauftrag-Überlast-Fehler	Blinkt in 0,5-Sekunden-Intervallen	Ein	Kein	*4
RAM S/L Fehler	Aus	Ein	Kein	*5
CPU-Fehler	Aus	Ein	Ertönt 2 Sekunden lang	*5

- *1 Nach dem Papierwechsel den On-line-Schalter drücken.
- *2 Den On-line-Schalter drücken, um den Druck fortzusetzen; oder das Papier wechseln und den On-line-Schalter drücken.
- *3 Nach dem Beheben des Papierstaus oder Beheben einer anderen Störung den On-line-Schalter drücken.
- *4 Der Druck wird automatisch nach Ablauf kurzer Zeit fortgesetzt. (Automatische Wiederherstellung nach Abkühlen des Druckkopfes.)
- *5 Dies ist kein behebbarer Fehler. Beim Fachhändler bezüglich Reparatur nachfragen.

7-3. Tastenbedienung (kombinierte Tastenbedienung)

7-3-1. Selbstdruck

FEED + **POWER ON** (Gerät einschalten, während die Taste FEED gedrückt gehalten wird.)

Der Selbstdruck wird entsprechend der VER.NO. DIP-Schaltereinstellung und der Zeichenfolge ausgeführt. Wenn die Taste FEED kontinuierlich gedrückt gehalten wird oder wenn FEED am Ende des Selbstdrucks gedrückt wird, werden nur die Zeichen wiederholt ausgedruckt.

```
**** S2      1.1 ****
```

```
Memory Switch
```

```
      FEDCBA9876543210  HEX.
```

```
<0> 0000000000000000 0000
```

```
<1> 0000000000000000 0000
```

```
<2> 0000000000000000 0000
```

```
<3> 0000000000000000 0000
```

```
<4> 0000000000000000 0000
```

```
<5> 0000000000000000 0000
```

```
<6> 0000000000000000 0000
```

```
<0> 4 = Model : Standard
```

```
*<1> 4 = Zero Style : Normal Zero
```

```
*<1> 0-3 = Inter. Char : USA
```

```
<2> 0-1 = Near End : Invalid
```

```
*<3> B-B = Character Set : Normal
```

```
<3> 0-1 = <CR> code : * Ignore
```

```
<4> 9 = Buffer Size : 4K bytes
```

```
<6> F = PO Sig. : PE
```

```
<6> 9 = Busy Cond. : Some
```

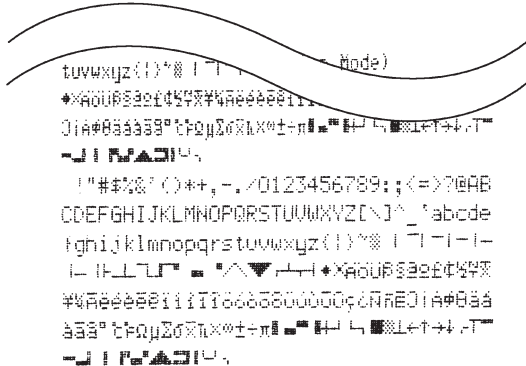


Abb. 7-2 Selbstdruck-Beispiel (bei Verwendung eines Druckers mit serieller Schnittstelle)

7-3-2. Sedezimale Datenausgabe

ON LINE + **POWER ON** (Gerät einschalten, während die Taste **ONLINE** gedrückt gehalten wird.)

Bei diesem Befehle werden alle Codes (Zeichencodes und Steuerodes), die vom Computer zum Drucker gesandt werden, in sedezimaler Form ausgedruckt.

Der sedezimale Datenausdruck ist nützlich, um zu prüfen, ob vom Drucker ausgegebene Steuerodes richtig sind. Die letzte Zeile wird nicht ausgedruckt, wenn sie nicht vollständig mit Daten gefüllt ist. Wenn die Taste ONLINE gedrückt wird, um den Drucker auf off-line zu stellen, wird die letzte Zeile aber gedruckt. Um diesen Modus zu beenden, muß der Drucker einmal ausgeschaltet werden.

00 01 02 03 04 05 06 07
08 09 0A 0B 0C 0D 0E 0F
10 11 12 13 14 15 16 17
18 19 1A 1B 1C 1D 1E 1F
20 21 22 23 24 25 26 27	!"#\$%&'
28 29 2A 2B 2C 0A	()*+.,

Abb. 7-3 Beispiel für sedezimalen Datenausdruck

7-3-3. Einstellen der Punktausrichtung

Das hier beschriebene Verfahren wird nur selten nötig. Es kann aber vorkommen, daß nach längerem Gebrauch des Druckers die Punkte einzelner Grafiken nicht mehr richtig miteinander übereinstimmen. So kann z.B. was folgendermaßen aussehen soll:

H H H

kann folgendermaßen aussehen:

H H H

oder wie

H H H

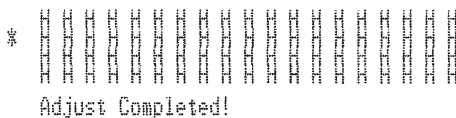
Der Grund dafür ist, daß mechanische Teile des Druckers gegeneinander verschoben werden. Dies geschieht nur selten, und die meisten Anwender werden während der Lebensdauer des Druckers damit nicht konfrontiert werden. Falls aber dieses Problem auftritt, kann es auf folgende Weise behoben werden.

- Schalten Sie den Drucker ein und legen Sie ein Blatt Papier ein.
- Den Drucker ausschalten.
- Die Tasten ON LINE und FEED am Bedienfeld gedrückt halten, und den Drucker erneut einschalten, um auf Punktausrichtung zu schalten. Die Betriebsart wird durch das Blinken der POWER-Anzeige angezeigt. Wenn der Punktjustierung-Modus eingeschaltet wird, werden sieben Zeichenblöcke ausgedruckt, wie unten gezeigt. Ein Sternchen erscheint links neben den Blöcken, um anzuzeigen, welcher Block momentan gewählt ist.

```
Dot Alignment Adjust Mode
* 1. 1. 1. 1. 1. 1. 1. 1. 1. 1. 1. 1. 1. 1. 1. 1.
  2. 1. 1. 1. 1. 1. 1. 1. 1. 1. 1. 1. 1. 1. 1. 1.
  3. 1. 1. 1. 1. 1. 1. 1. 1. 1. 1. 1. 1. 1. 1. 1.
  4. 1. 1. 1. 1. 1. 1. 1. 1. 1. 1. 1. 1. 1. 1. 1.
  5. 1. 1. 1. 1. 1. 1. 1. 1. 1. 1. 1. 1. 1. 1. 1.
  6. 1. 1. 1. 1. 1. 1. 1. 1. 1. 1. 1. 1. 1. 1. 1.
  7. 1. 1. 1. 1. 1. 1. 1. 1. 1. 1. 1. 1. 1. 1. 1.
```

- Die Taste FEED drücken, um den Block zu wählen, der die am besten ausgerichteten Zeichen hat. Die Taste einmal drücken, um den ersten Block zu wählen, zweimal für den zweiten Block, und so weiter bis zum siebten Block. Wenn die Taste mehr als sieben Mal gedrückt wird, ertönt ein Warnton.
- Nach dem Wählen eines Blocks die Taste ON LINE drücken, um die Wahl einzugeben, und den Punkteinstellmodus zu verlassen.

Die Einstellungen für die Punktausrichtung werden im Druckerspeicher gespeichert, und ein Muster wird mit der gewählten Einstellung ausgedruckt, gefolgt von der Meldung "Adjust Complete!". Der Drucker gibt das Papier nach dem Druckvorgang aus.



Hinweis: Wenn der Drucker ausgeschaltet wird, ohne die Taste ON LINE zum Verlassen des Punkteinstellmodus zu drücken, werden die Einstellungen nicht gespeichert. Tritt in diesem Modus ein Fehler beim Papiereinzug auf, wirft der Drucker das Papier aus und bricht diesen Modus ab.

8. Als Sonderzubehör erhältlich Papierende-Sensor

Der Papierende-Sensor stellt fest, wenn sich die eingelegte Papierrolle dem Ende nähert. Der Papierende-Sensor ist normalerweise bei Versand des Druckers ab Werk ausgeschaltet, er kann aber mit dem Speicherschalter eingeschaltet werden (ggf. Sich an den Fachhändler wenden). Die Angaben in diesem Kapitel beziehen sich nur auf Drucker, deren Papierende-Sensor eingeschaltet ist.

Wichtig!

Die Installation des Papierende-Sensors ist normalerweise dem Fachhändler vorbehalten.

8-1. Den Papierende-Sensor einstellen

Der Papierende-Sensor wird auf nachstehende Weise eingestellt, damit er mit dem Format des von Ihnen verwendeten Papiers übereinstimmt.

Wichtig!

Unabhängig vom Gesamtdurchmesser der Papierrolle muß der Pappkern in der Mitte der Rolle einen Innendurchmesser von 12 mm und einen Außendurchmesser von 18 mm aufweisen, damit er einwandfrei abgetastet werden kann.

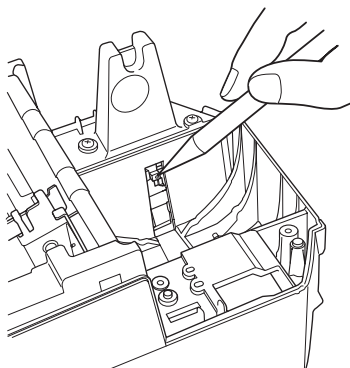


Abb. 8-1

- ① Dafür sorgen, daß der Drucker abgeschaltet und der Stecker aus der Netzsteckdose herausgezogen ist.
- ② Die Abdeckung des Druckers abnehmen.
- ③ Die Papierrolle herausnehmen.

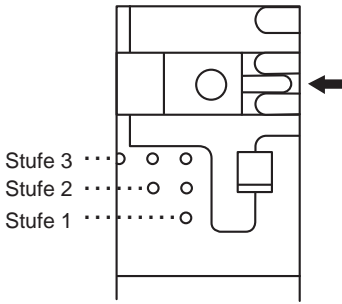


Abb. 8-2

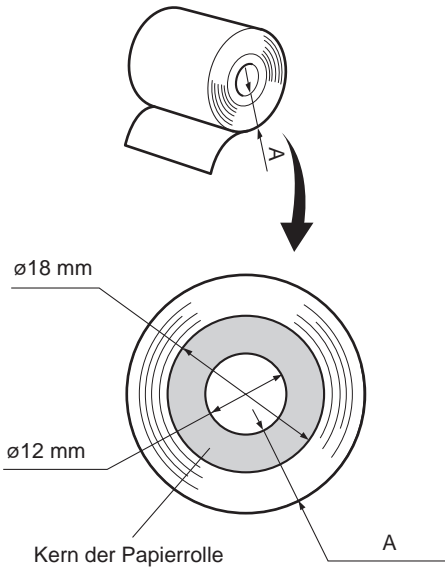


Abb. 8-3

- ④ Den Durchmesser der von Ihnen verwendeten Papierrolle ermitteln und die erforderliche Einstellung in der nachstehenden Tabelle ablesen.

Abstand A	Einstellung	Anzeige
Etwa 9 mm	Stufe 3	ooo
Etwa 7 mm	Stufe 2	oo
Etwa 5 mm	Stufe 1 ^{*1}	o

*1 Für 2 und 3 Lagen ungeeignet.

Hinweis:

1. Da der Abstand A, welcher der Einstellungsposition in der grafischen Darstellung entspricht, einen rechnerischen Wert darstellt, kann es aufgrund der jeweiligen Mechanik zu Abweichungen kommen.
2. Wenn sich am Ende der Papierrolle eine Endmarkierung befindet, handelt es sich bei dieser Markierung um eine angeklebte, durch die die ganze Papierrolle angehoben werden kann. In diesem Falle kann der Rest der Papierrolle (Abstand A), der in der grafischen Darstellung dargestellt ist, nicht verwendet werden.
3. Die Qualität mancher Papiere kann einen Papierstau verursachen. Dies kann Fehlermeldungen auslösen.
- ⑤ Die Spitze eines Kugelschreibers o.ä. in die Öffnung der Einstellvorrichtung einsetzen und durch Druck auf die Einstellvorrichtung diese nach oben oder unten auf die Einstellung schieben, die der von Ihnen verwendeten Papierrolle entspricht.
- ⑥ Darauf achten, daß die Zunge, die durch den Pfeil in der Abbildung angezeigt ist, sich in einer der Aussparungen befindet.

INDICE

1. Descrizione	97
2. Disimballaggio e installazione	98
2-1. Disimballaggio	98
2-2. Collocazione della stampante	99
2-3. Precauzioni per l'uso	99
2-4. Manutenzione	99
3. Identificazione delle parti e nomenclatura	100
4. Adattatore CA opzionale	102
5. Connessione	104
5-1. Installazione dell'anello di ferrite	104
5-2. Collegamento al computer ospite (interfaccia seriale)	105
5-3. Collegamento al computer ospite (interfaccia parallela)	106
5-4. Collegamento ad un'unità periferica	106
6. Inserimento della cartuccia nastro e della carta	108
6-1. Tipo SP2300	108
6-2. Tipo SP2500	111
6-3. Rimozione della carta	119
7. Pannello comandi	120
7-1. Funzionamento basilare	120
7-2. Errori	121
7-3. Operazioni con gli interruttori (operazioni combinate degli interruttori)	122
8. Sensore opzionale di "quasi fine"	126
8-1. Regolazione del sensore di "quasi fine"	126
APPENDICE	128

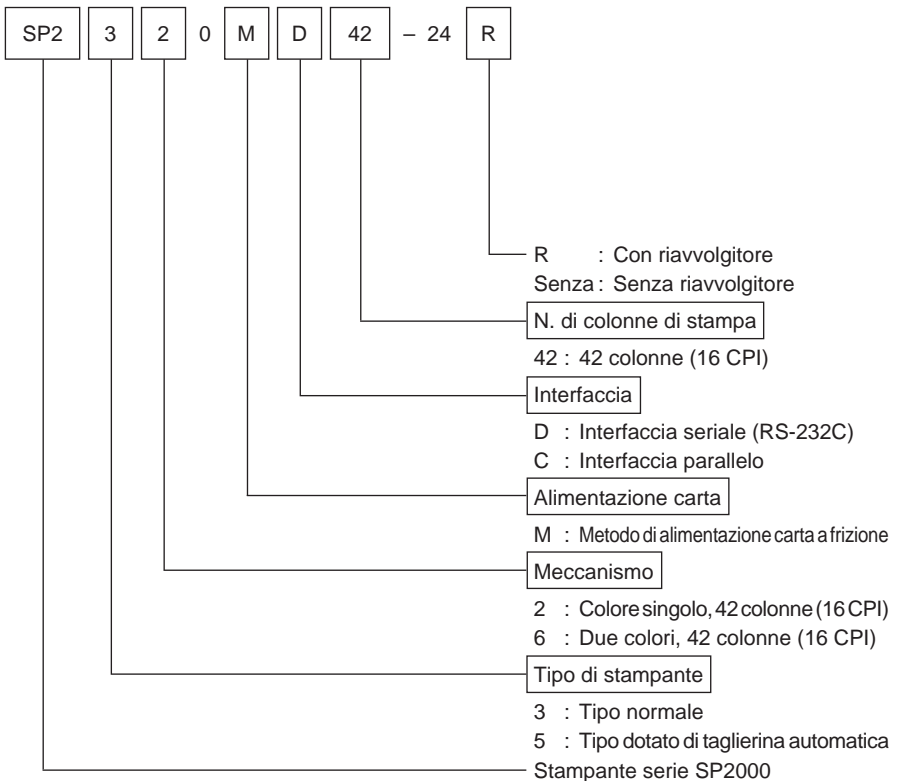
L'Appendice appare solo nella sezione in inglese di questo manuale.

1. Descrizione

La stampante seriale a matrice di impunti a impatto SP2000 è stata progettata per l'uso con strumenti elettronici come POS, apparecchiature bancarie, periferiche computer, ecc.

Le principali caratteristiche della serie SP2000 sono come segue:

1. Stampa bidirezionale a circa 3,1 righe/sec.
2. Interfaccia seriale o interfaccia parallelo
3. Buffer dati per la ricezione di dati di stampa anche durante la stampa
4. Circuito di pilotaggio unità periferiche per controllare dispositivi esterni come registri di cassa.

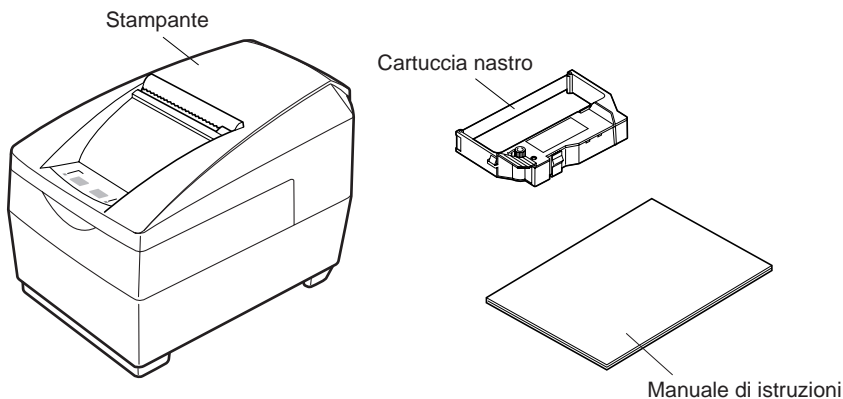


2. Disimballaggio e installazione

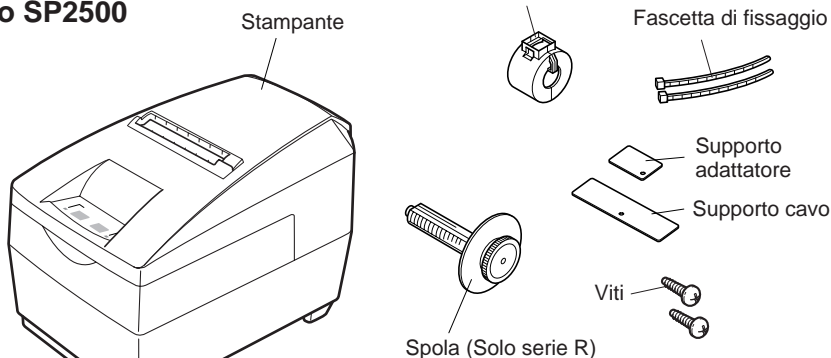
2-1. Disimballaggio

Dopo aver disimballato l'unità, controllare che tutti gli accessori necessari siano inclusi nella confezione.

Tipo SP2300



Tipo SP2500



Nota: La spola è inclusa solo con la serie R (modelli con riavvolgitore).
La spola si trova sotto il coperchio stampante.

Fig. 2-1 Disimballaggio

Se dovesse mancare qualcosa, contattare il concessionario da cui si è acquistata la stampante e richiedere la parte mancante. Notare che è consigliabile conservare lo scatolone originale e tutti i materiali di imballaggio in caso si debba reimballare e spedire la stampante in futuro.

2-2. Collocazione della stampante

Quando si colloca la stampante, tenere presenti le seguenti considerazioni:

1. Proteggere la stampante da calore eccessivo come luce solare diretta o caloriferi e tenerla lontana da umidità e polvere.
2. Collocare la stampante su una superficie stabile e piana che non sia soggetta a vibrazioni.
3. Collegare alla stampante una fonte di alimentazione stabile che non sia soggetta a picchi.
Per esempio non collegarla sullo stesso circuito di apparecchiature grandi che producono disturbi, come frigoriferi o condizionatori d'aria.
4. Assicurarsi che la tensione della linea corrisponda alla tensione specificata sulla piastrina di identificazione della stampante.
5. Per scollegare la stampante, scollegare la spina dalla presa di corrente, che si deve trovare vicino alla stampante e in un luogo facilmente accessibile.

2-3. Precauzioni per l'uso

1. Fare attenzione a non lasciar cadere graffette, spilli e altri oggetti estranei nell'unità perché potrebbero causare problemi di funzionamento.
2. Non tentare di stampare quando la carta o la cartuccia nastro non sono inserite nella stampante, altrimenti la testina di stampa potrebbe essere danneggiata.
3. Non aprire il coperchio durante la stampa.
4. Non toccare la testina di stampa immediatamente dopo la stampa perché scotta.
5. Usare solo carta in rotoli che non è incollata all'anima di cartone.
6. Quando il segno di fine carta appare sulla carta, sostituire il rotolo di carta prima che finisca.

2-4. Manutenzione

La stampante è fondamentalmente robusta, ma deve essere trattata con una certa cura per evitare problemi di funzionamento. Per esempio:

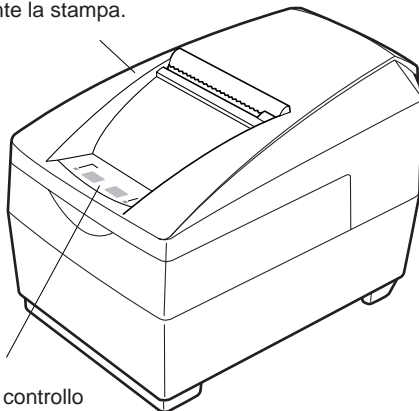
1. Tenere la stampante in un ambiente "confortevole". In parole povere, se l'ambiente è confortevole per le persone sarà adatto anche per la stampante.
2. Non esporre la stampante a urti o vibrazioni eccessive.
3. Evitare ambienti troppo polverosi. La polvere è il nemico di tutte le apparecchiature meccaniche di precisione.
4. Per pulire l'esterno della stampante usare un panno appena inumidito con acqua e un poco di detergente o di alcool, ma evitare la penetrazione di liquido nella stampante.
5. L'interno della stampante può essere pulito con un piccolo pulitore o una bombola di aria compressa (venduta a questo scopo). Quando si esegue questa operazione, assicurarsi di non piegare o danneggiare i collegamenti dei cavi o i componenti elettronici.

3. Identificazione delle parti e nomenclatura

Tipo SP2300

Coperchio

Protegge la stampante dalla polvere e riduce il rumore.
Non aprire il coperchio durante la stampa.



Pannello comandi

Dispone di due interruttori di controllo e due indicatori dello stato della stampante.

Adattatore CA

Fare riferimento alla seguente sezione per le istruzioni d'installazione.

Connettore circuito pilota per unità periferiche

Per il collegamento a unità periferiche come registri di cassa, ecc. Non collegarlo ad un telefono.

Connettore interfaccia

Per collegare la stampante al computer ospite.

DInterruttori DIP

Usarli per eseguire varie impostazioni.

Interruttore di alimentazione

Per accendere e spegnere la stampante.

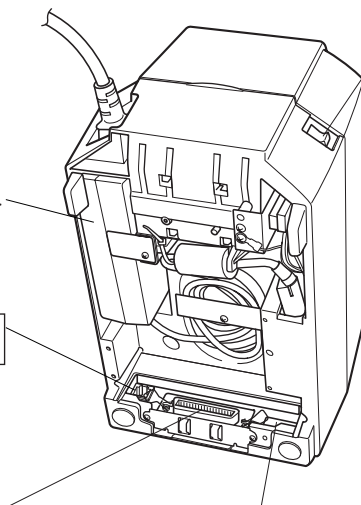
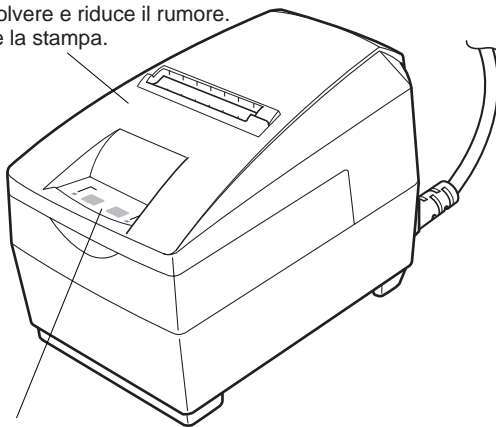


Fig. 3-1 Vista esterna della stampante (tipo SP2300)

Tipo SP2500

Coperchio

Protegge la stampante dalla polvere e riduce il rumore.
Non aprire il coperchio durante la stampa.



Pannello comandi

Dispone di due interruttori di controllo e due indicatori dello stato della stampante.

Adattatore CA

Fare riferimento alla seguente sezione per le istruzioni d'installazione.

Connettore circuito pilota per unità periferiche

Per il collegamento a unità periferiche come registri di cassa, ecc. Non collegarlo ad un telefono.

Connettore interfaccia

Per collegare la stampante al computer ospite.

DInterruttori DIP

Usarli per eseguire varie impostazioni.

Interruttore di alimentazione

Per accendere e spegnere la stampante.

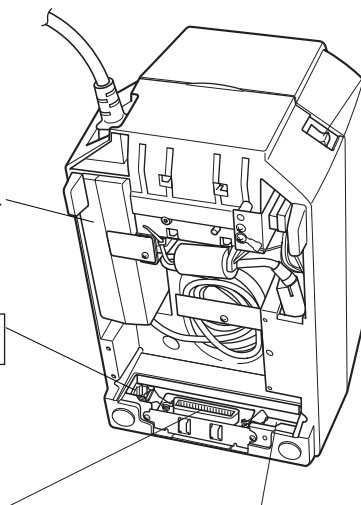


Fig. 3-2 Vista esterna della stampante (tipo SP2500)

4. Adattatore CA opzionale

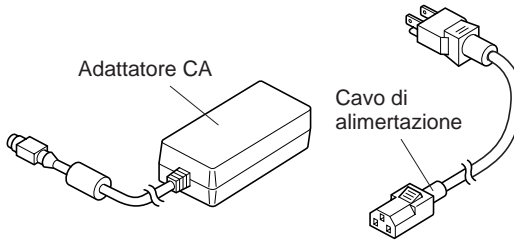


Fig. 4-1

Utilizzare la seguente procedura per installare l'adattatore CA opzionale

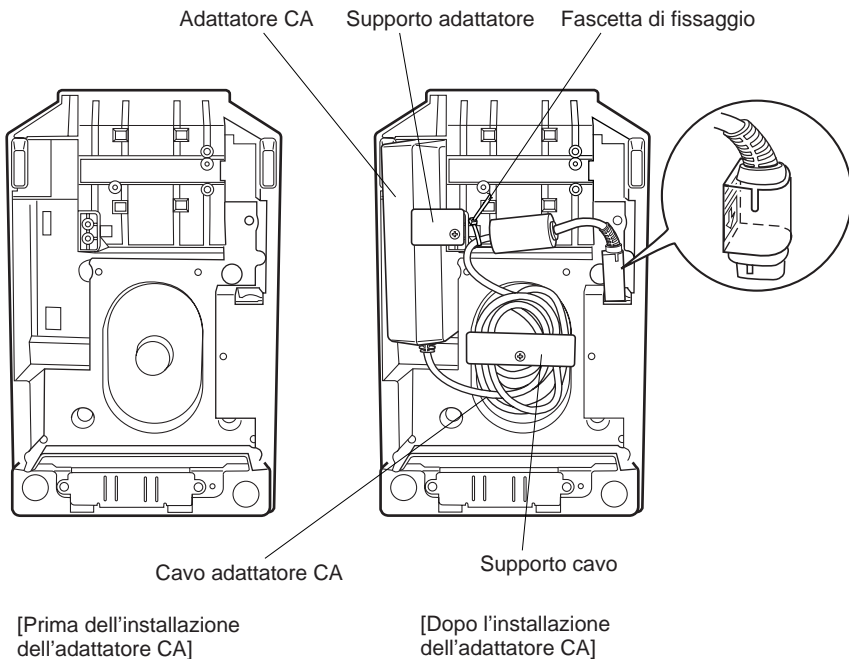


Fig. 4-2 La parte piana è rivolta in questa direzione

- ① Capovolgere la stampante.
- ② Inserire il cavo dell'adattatore CA nella presa come mostrato nella figura sotto. Accertarsi che la parte piana della spina sia rivolta verso l'interno della stampante.
- ③ Utilizzare uno dei dispositivi di fissaggio in dotazione per fissare il cavo nel punto indicato nella figura.

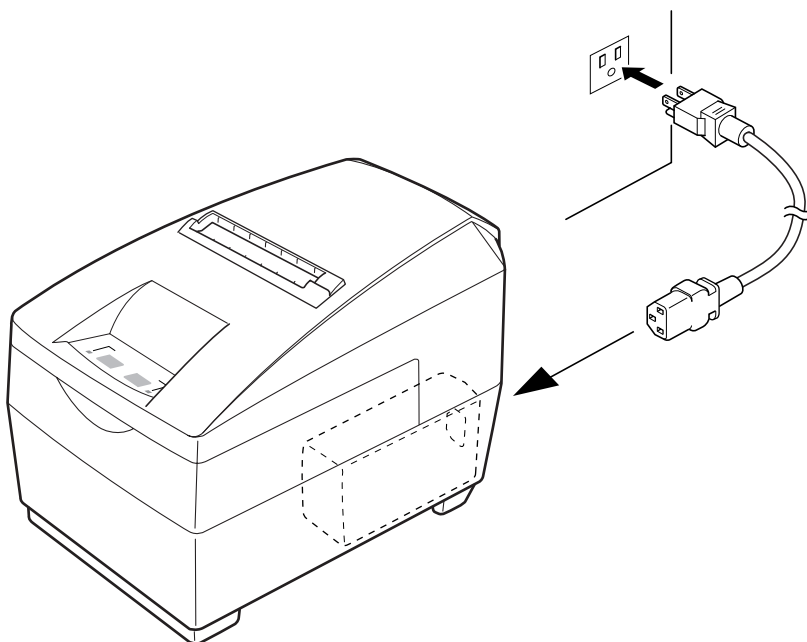


Fig. 4-3 Fissare il cavo in questo punto

- ④ Avvolgere il cavo dell'adattatore CA nello spazio previsto, quindi inserire l'adattatore CA nel suo alloggiamento.
- ⑤ Utilizzare il supporto dell'adattatore avvitandolo per fissare l'adattatore CA, quindi utilizzare il supporto del cavo avvitandolo per fissare il cavo.
- ⑥ Rimettere la stampante in posizione dritta.
- ⑦ Inserire l'estremità femmina del cavo di alimentazione nell'adattatore CA, quindi inserire l'altra estremità in una presa di corrente.

5. Connessione

Il computer invia dati alla stampante tramite un cavo collegato all'interfaccia della stampante (tipo connettore interfaccia seriale: D-sub a 25 terminali o tipo connettore interfaccia parallela: compatibile Centronics a 36 terminali). Questa stampante non è dotata di cavo, che deve essere acquistato a seconda delle esigenze di impiego.

Importante!

- Le seguenti istruzioni si applicano al cavo usato con personal computer compatibili IBM. Notare che non si applicano a tutti i tipi di computer e di cavo. Se non si è sicuri di quale tipo di cavo usare per il proprio computer, consultare il proprio rivenditore.
- Assicurarsi che la stampante sia spenta e scollegata dalla presa di corrente e che il computer sia spento prima di collegare i due.

5-1. Installazione dell'anello di ferrite



- ① Fissare l'anello di ferrite al cavo come mostrato nell'illustrazione qui sotto.

Fig. 5-1

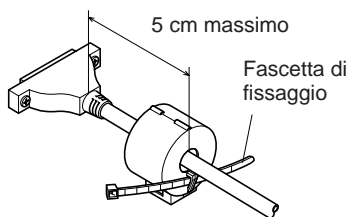


Fig. 5-2

- ② Far passare la fascetta di fissaggio attraverso l'anello di ferrite.

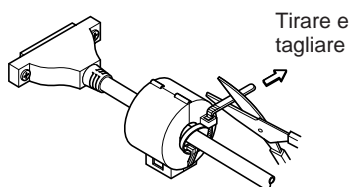


Fig. 5-3

- ③ Avvolgere la fascetta intorno al cavo e fissarla. Usare delle forbici per tagliare la parte in eccesso.

5-2. Collegamento al computer ospite (interfaccia seriale)

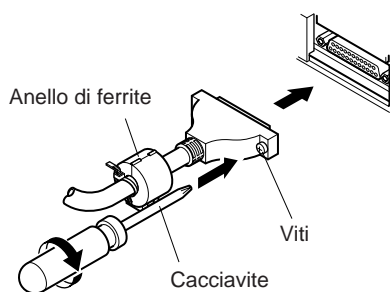
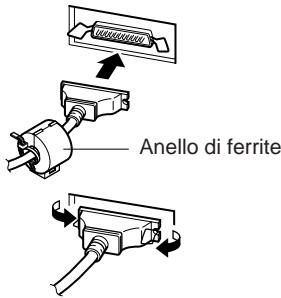


Fig. 5-4 Collegamento del cavo interfaccia

- ① Spegnerne sia il computer ospite che la stampante.
- ② Inserire il connettore ad un capo del cavo interfaccia nel connettore sulla stampante e l'altro connettore nel connettore sul computer ospite.
- ③ Fissare le viti destra e sinistra dei rispettivi connettori interfaccia per fissare in posizione i connettori.

5-3. Collegamento al computer ospite (interfaccia parallela)



- ① Spegnere sia il computer ospite che la stampante.
- ② Inserire un terminale del cavo interfaccia nel connettore sulla stampante, come mostrato nella figura, e fissarlo con il morsetto.
- ③ Inserire l'altro terminale del cavo interfaccia nel connettore sul computer ospite e fissare anche questo con il morsetto.

Fig.5-5 Collegamento del cavo interfaccia parallelo

5-4. Collegamento ad un'unità periferica

Si può collegare un'unità periferica alla stampante usando una spina modulare. Vedere "Modulare necessario" a pagina 165 per dettagli sul tipo di spina modulare necessario. Notare che la stampante non è dotata di spina o filo modulare, che devono essere acquistati in base alle esigenze di impiego.

Importante!

Assicurarsi che la stampante sia spenta e scollegata dalla presa di corrente e che il computer sia spento prima di eseguire il collegamento.

Spina modulare: MOLEX 90075-0007,
AMP641337 o JAPAN BURNDY B-66-4

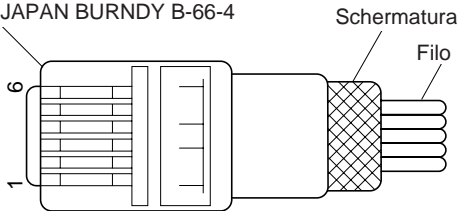


Fig. 5-6

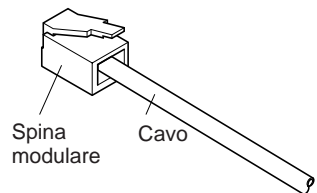


Fig. 5-7

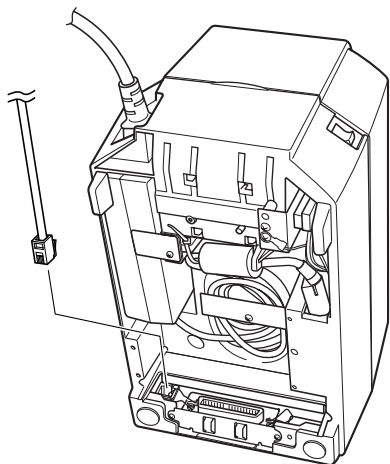


Fig. 5-8

- ① Collegare un capo del cavo modulare alla presa modulare della periferica.
- ② Rimuovere il coperchio presa modulare dal retro della stampante e collegare l'altro capo del cavo modulare alla presa sulla stampante.

Importante!

Non collegare una linea telefonica al connettore circuito pilota per unità periferiche. Altrimenti si potrebbero avere danni alla stampante ed alla linea telefonica.

6. Inserimento della cartuccia nastro e della carta

6-1. Tipo SP2300

6-1-1. Inserimento della cartuccia nastro

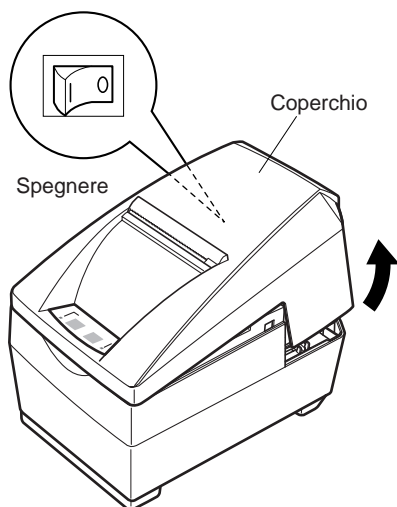


Fig. 6-1 Rimozione del coperchio

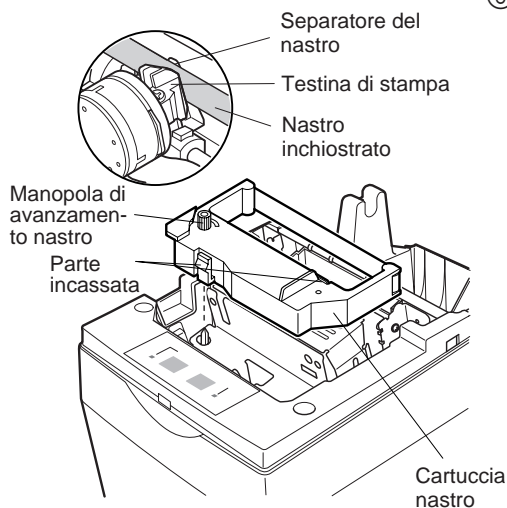


Fig. 6-2 Inserimento della cartuccia nastro

- ① Spegner la stampante.
- ② Sollevare il coperchio di 3 cm circa. Tenere il coperchio inclinato a questa angolazione e tirarlo verso di sé per rimuoverlo.
- ③ Inserire la cartuccia nastro nella direzione mostrata nella Fig. 6-2 e premerla in basso per caricarla. Se il caricamento della cartuccia nastro non è soddisfacente, premere in basso la cartuccia nastro girando la manopola di avanzamento nastro in direzione della freccia.
- ④ Girare la manopola di avanzamento nastro della cartuccia nastro in direzione della freccia per eliminare l'allentamento del nastro.
- ⑤ Montare il coperchio con il procedimento inverso a quanto descritto al punto ② sopra.

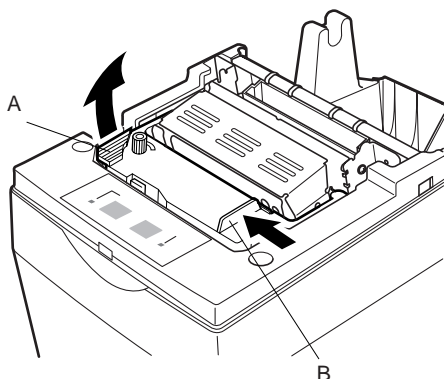


Fig. 6-3 Rimuovere la cartuccia del nastro

6-1-2. Inserimento della carta

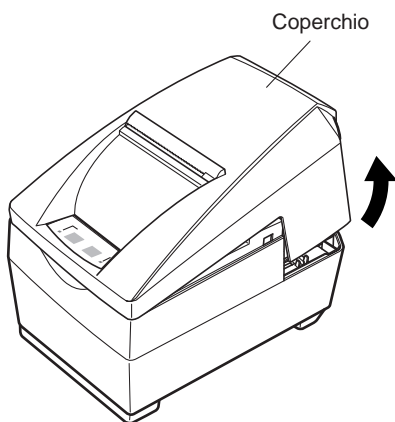


Fig. 6-4 Rimozione del coperchio

Nota: Quando si rimuove la cartuccia nastro, sollevare la parte A e quindi rimuovere la cartuccia tenendo la parte B come mostrato nella Fig. 6-3.

- ① Sollevare il coperchio di 3 cm circa. Tenere il coperchio inclinato a questa angolazione e tirarlo verso di sé per rimuoverlo.
- ② Tagliare perpendicolarmente l'estremità iniziale della carta del rotolo.
- ③ Verificare che la stampante sia accesa.

Rotolo di carta

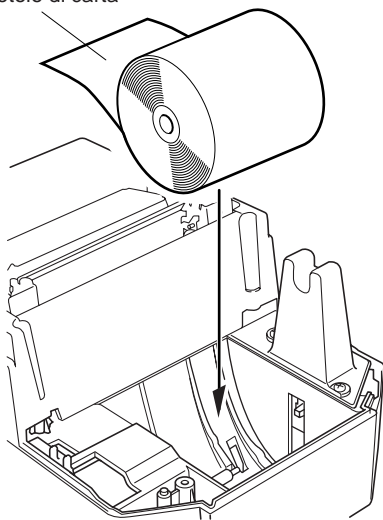


Fig. 6-5 Inserimento della carta

Uscita della carta

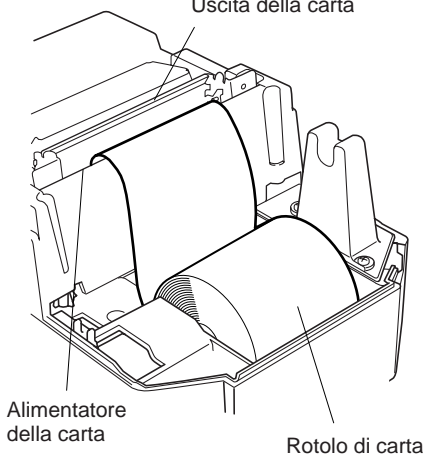


Fig. 6-6 Inserimento della carta

- ④ Osservando l'orientamento del rotolo, collocare il rotolo di carta nel vano come mostrato in Fig.6-5.

- ⑤ Inserire il bordo della carta nell'alimentatore della carta. Se è inserito correttamente, il bordo della carta passa attraverso l'uscita della carta.
- ⑥ Inserire l'estremità superiore della carta nella fessura della barra di strappo e quindi montare il coperchio con il procedimento inverso di quello usato per rimuovere il coperchio al punto ① sopra.

Nota: Quando il segno di fine carta appare sulla carta, sostituire il rotolo di carta prima che finisca.

Barra di strappo

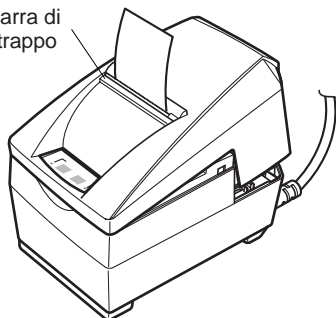


Fig. 6-7

6-2. Tipo SP2500

6-2-1. Inserimento della cartuccia nastro

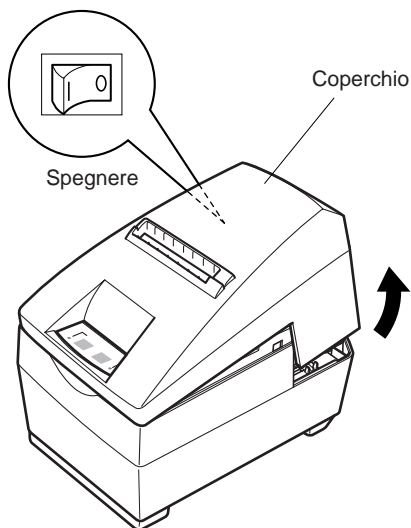


Fig. 6-8 Rimozione del coperchio

- ① Spegner la stampante.
- ② Sollevare il coperchio di 3 cm circa. Tenere il coperchio inclinato a questa angolazione e tirarlo verso di sè per rimuoverlo.

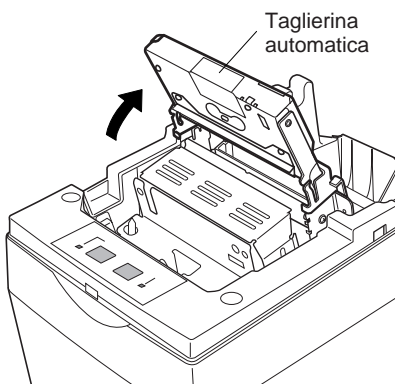


Fig. 6-9 Sollevamento della taglierina automatica

- ③ Sollevare la taglierina automatica e collocarla in posizione verticale, come mostrato nella Fig. 6-9.

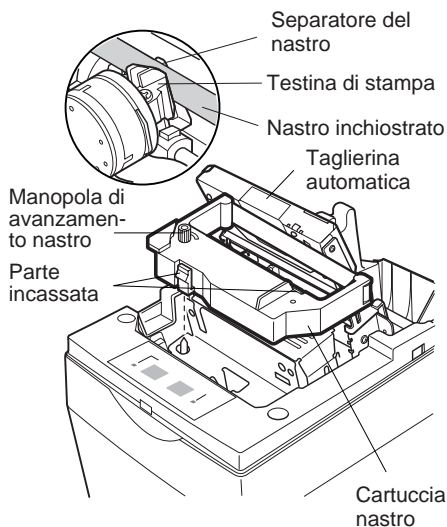


Fig. 6-10 Inserimento della cartuccia nastro

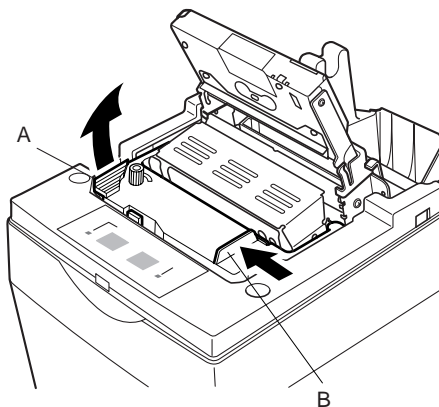


Fig. 6-11 Rimuovere la cartuccia del nastro

- ④ Inserire la cartuccia nastro nella direzione mostrata nella Fig. 6-10 e premerla in basso per caricarla. Se il caricamento della cartuccia nastro non è soddisfacente, premere in basso la cartuccia nastro girando la manopola di avanzamento nastro in direzione della freccia.
- ⑤ Girare la manopola di avanzamento nastro della cartuccia nastro in direzione della freccia per eliminare l'allentamento del nastro.
- ⑥ Chiudere la taglierina automatica.
- ⑦ Montare il coperchio con il procedimento inverso a quanto descritto al punto ② sopra.
- ⑧ Quando si rimuove la cartuccia nastro, sollevare la parte A e quindi rimuovere la cartuccia tenendo la parte B come mostrato nella Fig. 6-11.

6-2-2. Inserimento della carta

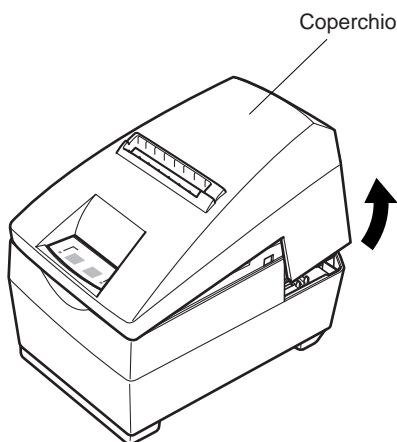


Fig. 6-12 Rimozione del coperchio

- ① Sollevare il coperchio di 3 cm circa. Tenere il coperchio inclinato a questa angolazione e tirarlo verso di sé per rimuoverlo.

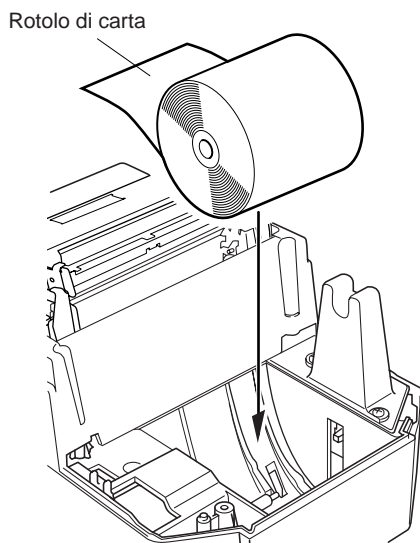


Fig. 6-13 Inserimento della carta

- ② Tagliare perpendicolarmente l'estremità iniziale della carta del rotolo.
- ③ Verificare che la stampante sia accesa.
- ④ Osservando l'orientamento del rotolo, collocare il rotolo di carta nel vano come mostrato in Fig.6-13.

[Quando si usa carta semplice]

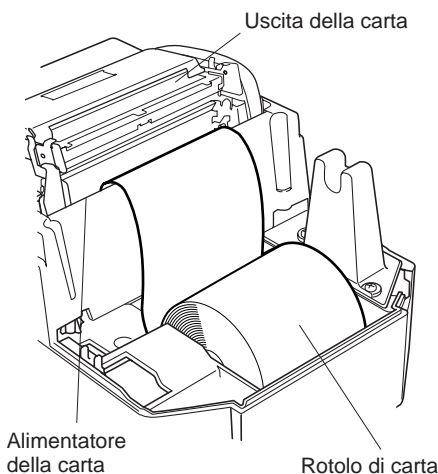


Fig. 6-14 Inserimento della carta

[Quando si usa carta multipla]

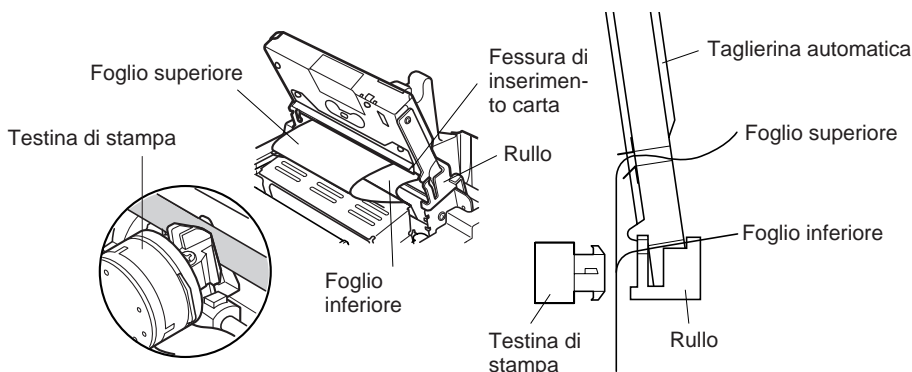


Fig. 6-15 Inserimento della carta nella taglierina automatica (quando si usa carta autocopiante)

- ⑤ Inserire il bordo della carta nell'alimentatore carta. Se è inserito correttamente, il bordo della carta passa attraverso la fessura carta della taglierina automatica. La carta viene tagliata una volta.
- ⑥ Rimuovere l'estremità tagliata e montare il coperchio seguendo in ordine inverso il procedimento descritto al punto ①.

Nota: Quando il segno di fine carta appare sulla carta, sostituire il rotolo prima che finisca.

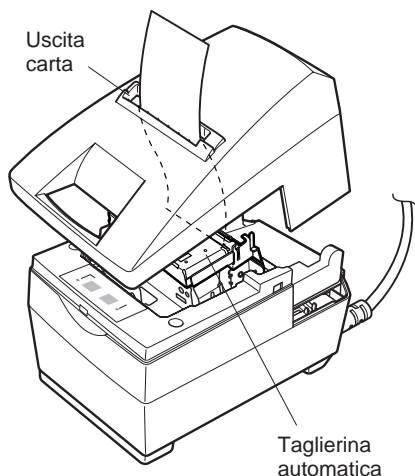


Fig. 6-16 Uscita carta sul coperchio anteriore

- ⑦ Inserire solo la carta dell'originale (foglio superiore) nella fessura della taglierina automatica. Inserire la carta di copia (foglio inferiore) tra il rullo e la taglierina automatica.
- ⑧ Tirare il bordo della carta per eliminare eventuali allentamenti e quindi abbassare la taglierina automatica.
- ⑨ Inserire la carta attraverso l'apertura carta e quindi rimettere il coperchio seguendo in ordine inverso il procedimento di rimozione.

Nota: Quando il segno di fine carta appare sulla carta, sostituire il rotolo di carta prima che finisca.

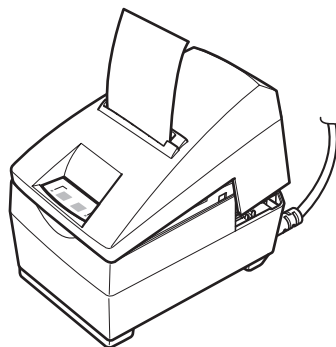


Fig. 6-17 Montaggio del coperchio

6-2-3. Riavvolgitore

Quando si usa il riavvolgitore, eseguire i punti da ① a ⑧ della sezione 6-2-2 e quindi procedere come segue.

- ⑨ Fare avanzare la carta del rullo di circa 20 cm dall'uscita carta premendo l'interruttore FEED.

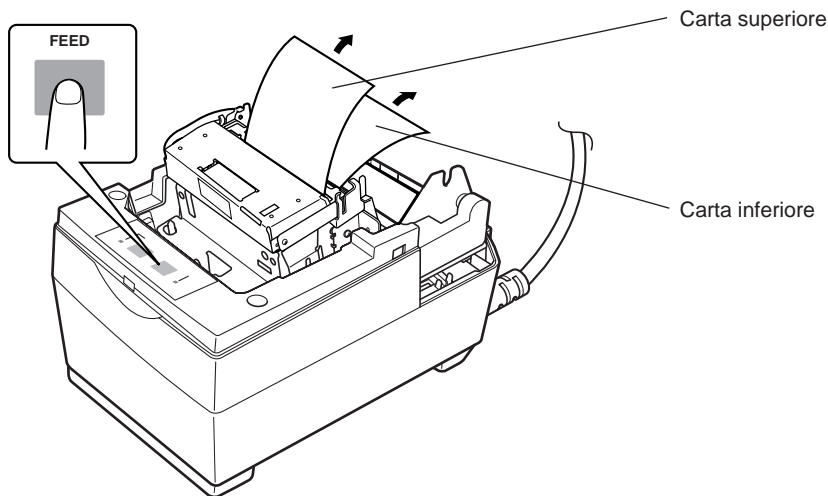


Fig. 6-18 Caricamento della carta

- ⑩ Inserire il capo della carta copia tra la spola di avvolgimento e la bobina come mostrato sotto. Assicurarsi che il lato destro della carta sia contro la flangia della bobina.

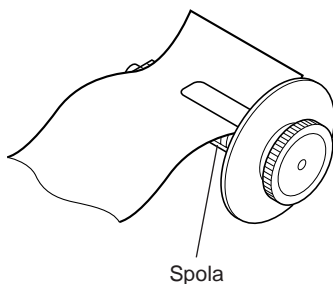


Fig. 6-19 Spola

- ⑪ Arrotolare la carta sulla spola facendo tre giri.

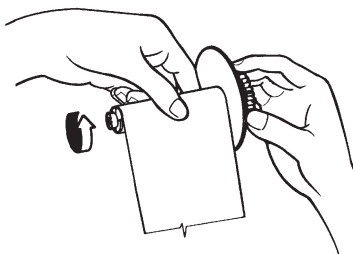


Fig. 6-20

- ⑫ Trattenendo la carta per evitare che si allenti, fissare la spola in modo che l'ingranaggio su quest'ultima si innesti sull'ingranaggio all'interno della stampante.

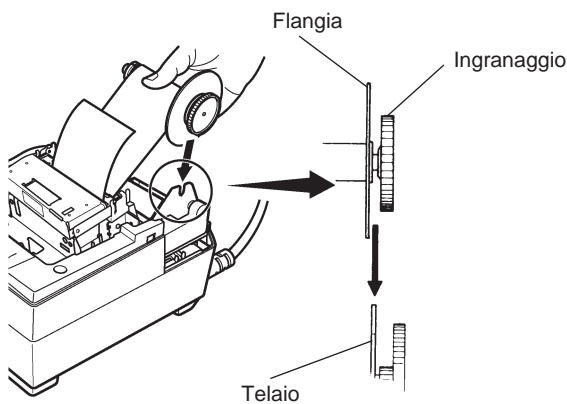


Fig. 6-21

- ⑬ Premere il tasto [FEED] e avvolgere la carta sulla bobina di avvolgimento. Tenere premuto il tasto [FEED] fino a che non rimane allentamento nella carta.

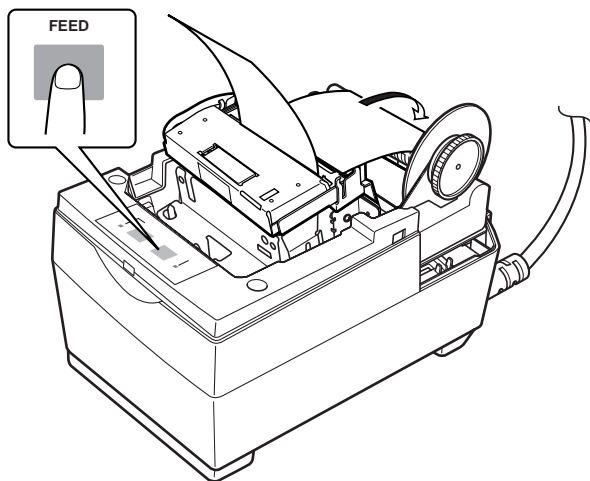


Fig. 6-22

- ⑭ Dopo avere sistemato ogni cosa, rimettere a posto il coperchio della stampante mentre si passa il bordo in avanti della carta superiore attraverso la fessura del coperchio.

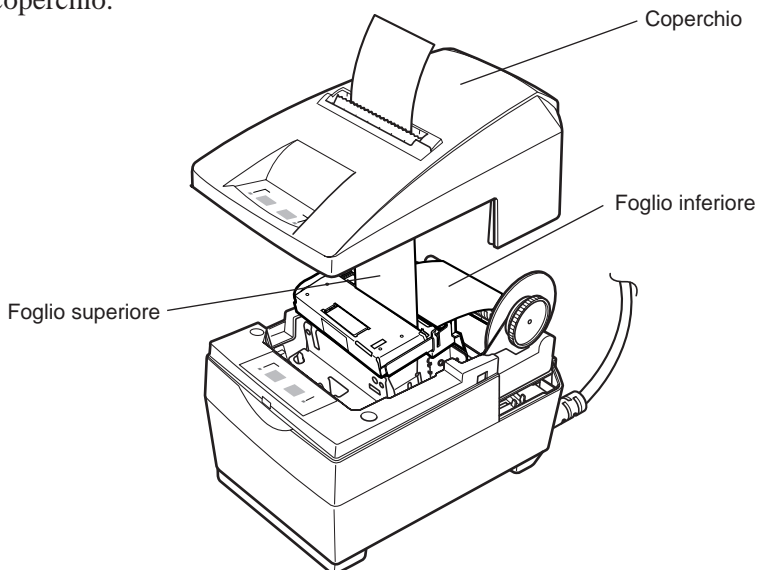


Fig. 6-23

6-3. Rimozione della carta

Rimuovere il coperchio, quindi tagliare la carta vicino al retro della guida carta e premere l'interruttore FEED per far fuoriuscire la carta rimanente nell'unità. Quando la carta è finita la spia POWER lampeggia.

- Nota:**
1. Rimuovere la carta rimanente nella stampante premendo l'interruttore FEED.
 2. Quando il segno di fine carta appare sulla carta, sostituire il rotolo di carta prima che finisca.

[Quando si usa il riavvolgitore]

Rimuovere la bobina insieme alla carta avvolta su di essa.

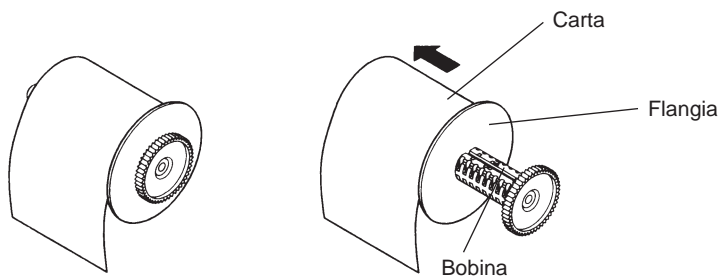


Fig. 6-24

7. Pannello comandi

7-1. Funzionamento basilare

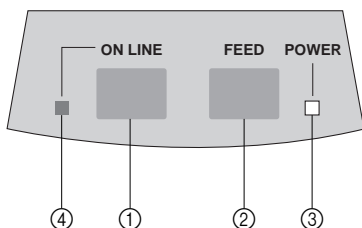


Fig. 7-1 Pannello comandi

- ① Interruttore ON LINE
Alterna lo stato della stampante tra “on-line” e “off-line”. La commutazione tra “on-line” e “off-line” è possibile solo quando c'è carta inserita nella stampante.
- ② Interruttore FEED
 - Quando si preme questo interruttore e lo si rilascia entro 0,5 sec., la carta avanza di una riga.
 - Quando si tiene premuto questo interruttore per più di 0,5 sec., la carta avanza continuamente.
(L'operazione di avanzamento carta sopra descritta è possibile in entrambi i modi “on-line” e “off-line”).

- ③ Spia POWER (LED verde)
LED illuminato : La stampante è accesa.
LED spento : La stampante è spenta.
- ④ Spia ON LINE (LED verde)
LED illuminato : Stampante “on-line”
LED spento : Stampante “off-line”

7-2. Errori

Determinare la natura dell'errore in base al lampeggiamento della spia o al suono del cicalino.

Descrizione dell'errore	Spia di alimentazione	Spia in linea	Cicalino	Condizioni di ripristino
Carta assente	Lampeggia a intervalli di 1 secondo	Spenta	4 segnali brevi (0,13 secondi) ripetuti due volte	*1
Carta vicina alla fine del rotolo (quando è attivato l'arresto vicino alla fine)	Lampeggia a intervalli di 2 secondi	Spenta Accesa (dopo che si è premuto l'interruttore On-line)	Nessun segnale	*2
Errore meccanico (diverso da errore taglierina)	Lampeggia a intervalli di 0,25 secondi	Spenta	Un segnale breve (0,13 sec.) e uno lungo (0,5 secondi)	*3
Errore taglierina (solo sui modelli dotati di taglierina)	Lampeggia a intervalli di 0,125 secondi	Spenta	Due segnali brevi (0,13 sec.) e uno lungo (0,5 sec.)	*3
Errore sovraccarico ordine di stampa	Lampeggia a intervalli di 0,5 secondi	Accesa	Nessun segnale	*4
Errore lettura/ scrittura RAM	Spenta	Accesa	Nessun segnale	*5
Errore CPU	Spenta	Accesa	Suona per 2 secondi	*5

- *1 Dopo aver cambiato la carta, premere l'interruttore On-line.
- *2 Premere l'interruttore On-line per continuare la stampa; oppure cambiare la carta e premere l'interruttore On-line.
- *3 Dopo aver eliminato l'inceppamento carta o risolto il problema, premere l'interruttore On-line.
- *4 La stampa riprende automaticamente dopo che è trascorso qualche tempo. (Il ripristino è automatico dopo che la testina di stampa si è raffreddata.)
- *5 Questo errore non è risolvibile. Consultare il concessionario per riparazioni.

7-3. Operazioni con gli interruttori (operazioni combinate degli interruttori)

7-3-1. Stampa automatica

FEED + **POWER ON** (accendere tenendo premuto l'interruttore FEED)

La stampa automatica viene eseguita secondo le impostazioni degli interruttori VER NO., DIP e l'ordine dei caratteri. Se si tiene premuto l'interruttore FEED o se si preme l'interruttore FEED alla fine della stampa automatica, solo i caratteri sono stampati ripetutamente.

```
**** S2          1.1 ****

Memory Switch
      FEDCBA9876543210  HEX.
<0> 0000000000000000  0000
<1> 0000000000000000  0000
<2> 0000000000000000  0000
<3> 0000000000000000  0000
<4> 0000000000000000  0000
<5> 0000000000000000  0000
<6> 0000000000000000  0000

<0> 4 = Model : Standard
*(1) 4 = Zero Style : Normal Zero
*(1) 0-3 = Inter. Char : USA
<2> 0-1 = Near End : Invalid
*(3) 0-B = Character Set : Normal
<3> 0-1 = <CR> code : % Ignore
<4> 9 = Buffer Size : 4K bytes
<6> F = PG Sig. : PE
<6> 9 = Busy Cond. : Some
```

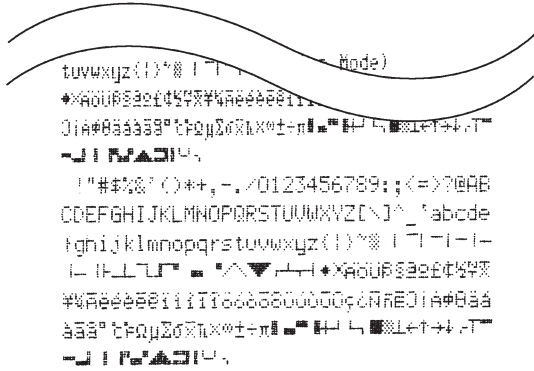


Fig. 7-2 Esempio di stampa automatica (quando si usa la stampante a interfaccia seriale)

7-3-2. Modo di scaricamento esadecimale

ON LINE + **POWER ON** (accendere tenendo premuto l'interruttore **ON LINE**)

Ciascuno dei segnali inviati dal computer alla stampante viene stampato in codice esadecimale.

Questa funzione permette di controllare se un codice di controllo inviato alla stampante dal programma usato è corretto o meno. L'ultima riga non viene stampata se i suoi dati non consistono di una riga completa. Tuttavia, se si preme l'interruttore ON LINE per impostare il modo "off-line" l'ultima riga viene stampata. Per disattivare questo modo, è necessario spegnere completamente la stampante.

```
00 01 02 03 04 05 06 07      .....  
08 09 0A 0B 0C 0D 0E 0F      .....  
10 11 12 13 14 15 16 17      .....  
18 19 1A 1B 1C 1D 1E 1F      .....  
20 21 22 23 24 25 26 27      !"#%&'  
28 29 2A 2B 2C 0A           ()*+.,
```

Fig. 7-3 Esempio di stampa a scaricamento esadecimale

7-3-3. Regolazione dell'allineamento punti

Può non essere mai necessario eseguire il procedimento descritto in questa sezione, ma dopo che si è usata la stampante per qualche tempo, si può notare che i punti di qualche grafico non sono allineati correttamente. Per esempio, ciò che dovrebbe essere:

||||

può apparire come uno dei seguenti:

||||

oppure così

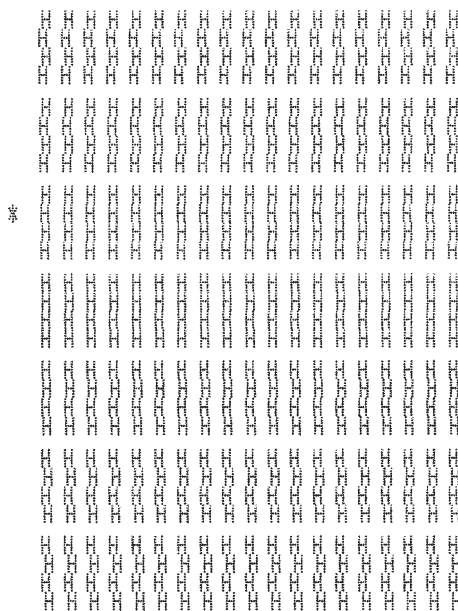
||||

Questo è causato da una perdita di allineamento delle parti meccaniche della stampante. Questo succede solo raramente e può non verificarsi mai durante l'uso della stampante. Se si hanno problemi, usare il seguente procedimento per correggerli.

- Accendere la stampante ed inserire un foglio di carta.
- Spegnerla stampante.
- Tenendo premuti i tasti ON LINE e FEED della stampante, accendere la stampante per passare al modo di regolazione allineamento punti, indicato dal lampeggiamento dell'indicatore POWER.

Quando si passa al modo di regolazione allineamento punti sono stampati sette blocchi, ciascuno dei quali corrisponde ad un'impostazione di allineamento, come indicato sotto. Un asterisco a sinistra dei blocchi indica quale blocco è attualmente selezionato.

Dot Alignment Adjust Mode

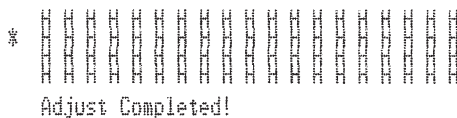


- Usare FEED per specificare il blocco che sembra avere i caratteri allineati meglio. Premere FEED una volta per specificare il primo blocco, due volte per specificare il secondo e così via fino a sette volte per specificare il settimo blocco.

Viene emesso un segnale acustico di avvertimento se si preme FEED più di sette volte.

- Dopo aver specificato un blocco, premere ON LINE per registrare la selezione e uscire dal modo di regolazione allineamento punti.

L'impostazione di allineamento punti selezionata viene conservata nella memoria della stampante e viene stampato uno schema che impiega l'impostazione selezionata seguito dal messaggio "Adjust complete!". La stampante espelle la carta una volta completata la stampa.



Adjust Completed!

Nota: Le impostazioni non sono registrate se si spegne la stampante prima di premere REVERSE per uscire dal modo di regolazione allineamento punti. In caso di errore di alimentazione della carta durante l'uso di questo modo, la stampante espelle la carta e il modo viene disattivato.

8. Sensore opzionale di “quasi fine”

Il sensore di “quasi fine” determina quando il rotolo di carta che è stato caricato sta per terminare. Questo sensore è normalmente disattivato quando la stampante viene spedita dalla fabbrica, ma può essere attivato dal vostro negoziante grazie all’interruttore di memoria. I dati di questo capitolo si riferiscono unicamente a stampanti con sensori di “quasi fine” attivati.

Importante!

L’installazione del sensore di “quasi fine” dovrebbe essere effettuata dal vostro negoziante.

8-1. Regolazione del sensore di “quasi fine”

Utilizzare la seguente procedura per regolare il sensore di “quasi fine” affinché sia compatibile con le dimensioni del rotolo di carta che viene adoperato.

Importante!

Indipendentemente dal diametro complessivo del rotolo di carta, la parte centrale di carta robusta distante dal rotolo deve avere un diametro interno di 12 mm e un diametro esterno di 18 mm per una corretta rivelazione.

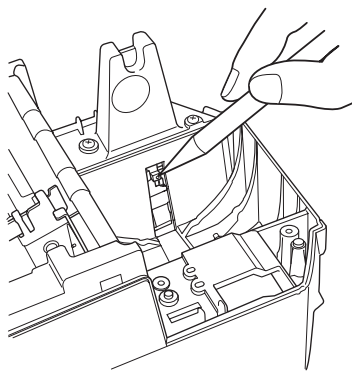


Fig. 8-1

- ① Accertarsi che la stampante sia spenta con la spina staccata.
- ② Togliere il coperchio della stampante.
- ③ Togliere il rotolo di carta.

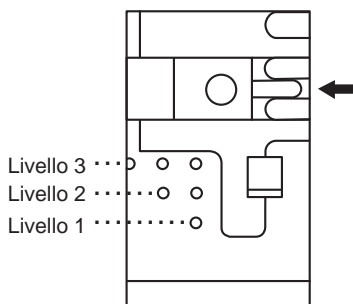


Fig. 8-2

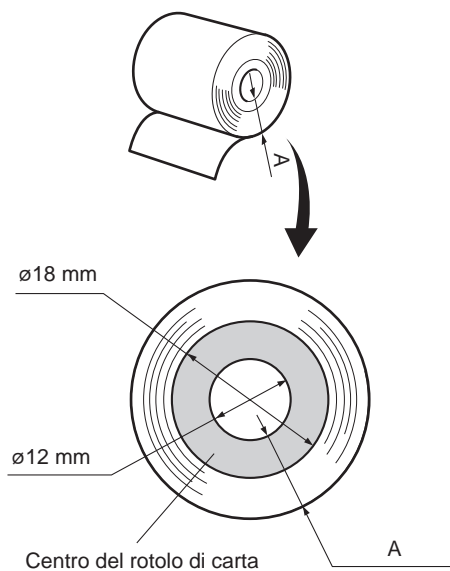


Fig. 8-3

- ④ Determinare il diametro del rotolo di carta che si utilizza e individuare nella tabella riportata sotto l'impostazione richiesta.

distanza A	Impostazione	Indicatore
Circa 9 mm.	Livello 3	ooo
Circa 7 mm.	Livello 2	oo
Circa 5 mm.	Livello 1 *1	o

*1 Non si può utilizzare con 2 o 3 pieghe.

Nota:

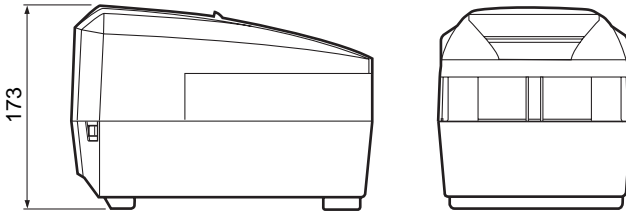
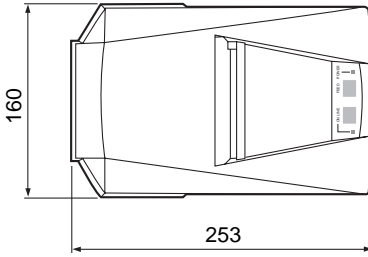
1. Poiché la distanza A corrispondente alla posizione di regolazione sul grafico è un valore calcolato, potrebbero esserci variazioni dovute al meccanismo effettivo.
 2. Se c'è un segno di fine al termine del rotolo di carta, detto segno si comporta come adesivo in grado di sollevare l'intero rotolo di carta. In tal caso, ciò non riguarderà la quantità di carta rimanente (distanza A) indicata nel grafico sopracitato.
 3. Una determinata qualità di carta può provocare l'inzeppamento della stessa, dando luogo a una determinazione errata.
- ⑤ Inserire la punta di una penna a sfera. Premendo il regolatore, farla scorrere in alto o in basso fino all'impostazione che corrisponde al rotolo di carta utilizzato.
- ⑥ Accertarsi che la linguetta indicata dalla freccia nella figura sia all'interno di uno degli incavi.

Appendix A: General Specifications

Printing method:	Serial impact dot matrix
Print direction:	Bi-directional
Number of head pins:	9 wires
Number of print columns:	42 columns
Character set:	ASCII 96 (characters) Extended graphics: 128 × 40 pages (Star mode) 128 × 6 pages (ESC/POS) International characters: 46 (Star mode) 37 (ESC/POS)
Font configuration	7 (Half dots) × 9 or 5 × 9
Printing width:	63 mm, 210 dots
Print speed:	Approx. 3.1 lines per sec.
Line spacing:	1/6-inch (default), n/144-inch (programmable by command)
Paper feed method:	Friction feed
Paper feed speed:	Approx. 3.5 inches/sec.
Paper specifications	
Paper type:	Ordinary bond and carbonless copy paper
Paper width:	76±0.5 mm (3.0 inches)
Roll diameter:	85mm (3.35 inches) max.
Internal diameter of roll:	12±1 mm
Thickness	Note: The paper must not be glued to the core. (single) 0.07 mm to 0.10 mm (copies) Original + 2 copies (Max. 0.2 mm) (single only) 0.07 mm to 0.10 mm
	Note: The auto-cutter that is fitted to the SP2500 series is designed to cut single ply paper to a maximum thickness of 0.1mm. Cutting multi-ply paper, or paper thicker than 0.1mm is not recommended as the specifications of the auto-cutter cannot be guaranteed.

Paper cutter reliability (SP2500 type only)	300,000 cut (MCBF)
Ink ribbon specifications	
Ribbon type:	Cartridge cassette
Color:	SP2320/2520 type: Single color (Purple or black) SP2360/2560 type: Two color (Black and red)
Ribbon material:	Nylon 66 (#40 denier)
Ribbon life:	Single color: Purple 3,000,000 characters Black 1,200,000 characters Two color: Black on two color 600,000 characters Red on two color 300,000 characters
Interface	
Serial interface:	RS-232C
Bidirectional parallel interface:	IEEE1284 compatibility, nibble, byte modes
Peripheral unit drive circuit:	2 circuits (24V, max. 1A)
Overall dimensions:	160W × 253D × 173H (mm)
Weight:	Printer: Approx. 2.1 kg Optional AC adaptor: 350 g Optional AC cable: 150g

SP2300 Type



SP2500 Type

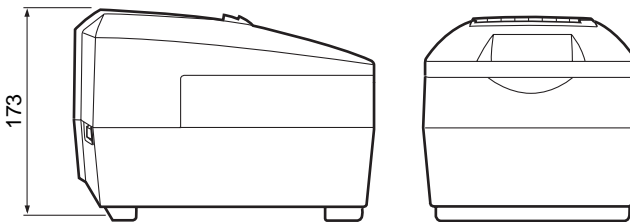
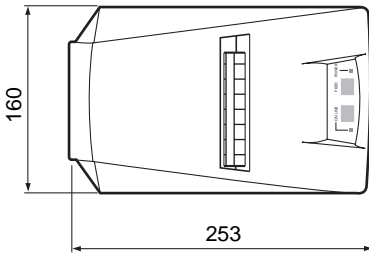


Fig. A-1 Overall dimensions (mm)

Ambient temperature/humidity	
Operating temperature:	0°C to +50°C
Operating humidity:	10% to 80% RH (at 40°C, without condensation)
Storage temperature:	-20°C to +70°C
Storage humidity:	5% to 95% RH (at 40°C, without condensation)
Mechanism reliability:	5,000,000 lines MCBF (except head life and auto cutter)
Print head life:	70 million characters

Power Supply Specifications

Power Supply:	
Optional AC Adaptor:	PS48-24A, switching type
Input:	90 to 264V AC, 50/60Hz
Output:	24V DC \pm 5%, 2.0A
Plug:	3-pin POWER JACK TCP 8927 (Hoshiden brand or equivalent.)
Consumption Current:	Conditions: 24V, excluding peripheral unit driving
Operating: (approximate averages)	Continuous ASCII printing: 0.7A Solid block printing: 1.5A Peak (solid printing): 3.1A
Stand-by: (approximate averages)	0.24 A

Important!

When using a printer power supply other than the optional AC adaptor (PS48-24A), be sure that the following cautions are observed.

- Use a power supply of DC 24 V \pm 5% and more than 2.0 A.
- Be careful about installing the printer in an area where there is noise. Take the appropriate measures to protect against electrostatic AC line noise, etc.

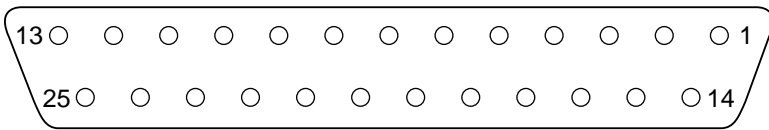
Appendix B: Serial Interface

B-1. Pins and Signal Names

Pin No.	Signal Name	Direction	Function																				
1	FG	—	Frame ground																				
2	TXD	OUT	Transmission data																				
3	RXD	IN	Receive data																				
4	RTS	OUT	When Memory Switch 4-D = 0: Same as DTR signal When Memory Switch 4-D = 1: Always SPACE																				
5	N.C.		Not connected																				
6	DSR	IN	<p>• DIP Switch 2-7 = OFF STAR Mode Status of this signal is not checked. ESC/POS Mode In DTR/DSR communication mode when Memory Switch4-5 = 0, indicates whether data receive from host is enabled or disabled. Space: Receive enabled Mark: Receive disabled In DTR/DSR communication mode when Memory Switch 4-5=1, status of this signal is not checked. This signal is not checked in the X-ON/X-OFF communication mode.</p>																				
			<p>• DIP Switch 2-7 = ON This signal used for external reset. Printer is reset whenever signal is in mark state with pulse width of 1mS or more.</p>																				
7	SG		Signal ground																				
8 -19	N.C.		Not connected																				
20	DTR	OUT	<p>Indicates whether data receive from host is enabled or disabled. DTR/DSR Communication Mode Space when receive is enabled.</p>																				
			<table border="1" style="width: 100%; border-collapse: collapse;"> <thead> <tr> <th rowspan="2">Printer status</th> <th colspan="2">DIP switch 1-2</th> </tr> <tr> <th>0</th> <th>1</th> </tr> </thead> <tbody> <tr> <td>1. During the period from when the power is turned on (including resetting using the interface) to when the printer is ready to receive data.</td> <td>BUSY</td> <td>BUSY</td> </tr> <tr> <td>2. During self printing and dot alignment adjustment.</td> <td>BUSY</td> <td>BUSY</td> </tr> <tr> <td>3. During paper feeling using the paper feed button (ESC/POS mode only).</td> <td>BUSY</td> <td>—</td> </tr> <tr> <td>4. When the printer stops printing due to a paper end or a paper near end.</td> <td>BUSY</td> <td>—</td> </tr> <tr> <td>5. When an error has occurred.</td> <td>BUSY</td> <td>—</td> </tr> <tr> <td>6. When the receive buffer becomes full.</td> <td>BUSY</td> <td>BUSY</td> </tr> </tbody> </table>	Printer status	DIP switch 1-2		0	1	1. During the period from when the power is turned on (including resetting using the interface) to when the printer is ready to receive data.	BUSY	BUSY	2. During self printing and dot alignment adjustment.	BUSY	BUSY	3. During paper feeling using the paper feed button (ESC/POS mode only).	BUSY	—	4. When the printer stops printing due to a paper end or a paper near end.	BUSY	—	5. When an error has occurred.	BUSY	—
Printer status	DIP switch 1-2																						
	0	1																					
1. During the period from when the power is turned on (including resetting using the interface) to when the printer is ready to receive data.	BUSY	BUSY																					
2. During self printing and dot alignment adjustment.	BUSY	BUSY																					
3. During paper feeling using the paper feed button (ESC/POS mode only).	BUSY	—																					
4. When the printer stops printing due to a paper end or a paper near end.	BUSY	—																					
5. When an error has occurred.	BUSY	—																					
6. When the receive buffer becomes full.	BUSY	BUSY																					

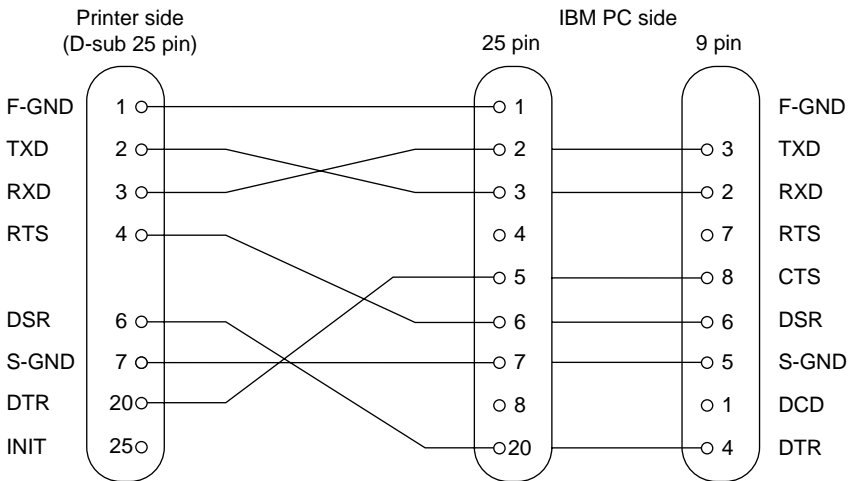
Pin No.	Signal Name	Direction	Function
20	DTR	OUT	X-On/X-Off Communication Mode Always space, except during following conditions: <ul style="list-style-type: none"> • Period between reset and communication enabled • During self printing and dot alignment adjustment
21 - 24	N.C.		Not connected
25	INIT	IN	<ul style="list-style-type: none"> • DIP Switch 2-8 = OFF This signal not used.
			<ul style="list-style-type: none"> • DIP Switch 2-8 = ON This signal becomes reset signal. Printer is reset whenever signal is in space state with pulse width of 1mS or more.

Note: DIP switch 2 displays the switches on the interface card.



B-2. Interface Connections (Serial Interface)

Refer to the interface specifications of the host for details on connecting to its interface connector. The following illustration shows a typical connection configuration.



Appendix C: Parallel Interface

The two-way parallel interface is compatible with the IEEE1284 compatibility mode, nibble mode and byte mode. Refer to the separate programmer’s manual for details.

C-1. Table of Connection Signals for Each Mode

Pin No.	Direction	Compatibility Mode Signal Name	Nibble Mode Signal Name	Byte Mode Signal Name
1	In	nStrobe	HostClk	HostClk
2	In/Out	Data0	Data0	Data0
3	In/Out	Data1	Data1	Data1
4	In/Out	Data2	Data2	Data2
5	In/Out	Data3	Data3	Data3
6	In/Out	Data4	Data4	Data4
7	In/Out	Data5	Data5	Data5
8	In/Out	Data6	Data6	Data6
9	In/Out	Data7	Data7	Data7
10	Out	nAck	PtrClk	PtrClk
11	Out	Busy	PtrBusy/Data3,7	PtrBusy
12	Out	PError	AckDataReq/Data2,6	AckDataReq
13	Out	Select	Xflag/Data1,5	Xflag
14	In	nAutoFd	HostBusy	HostBusy
15		N/C	—	—
16		GND	GND	GND
17		Flame GND	Flame GND	Flame GND
18	OUT	Logic High	Logic High	Logic High
19		GND	GND	GND
20		GND	GND	GND
21		GND	GND	GND
22		GND	GND	GND
23		GND	GND	GND
24		GND	GND	GND
25		GND	GND	GND
26		GND	GND	GND
27		GND	GND	GND
28		GND	GND	GND
29		GND	GND	GND
30		GND	GND	GND

Pin No.	Direction	Compatibility Mode Signal Name	Nibble Mode Signal Name	Byte Mode Sginal Name
31	In	nInit	nInit	nInit
32	Out	nFault	nDataAvail/Data0,4	nDataAvail
33		EXT GND	—	—
34	Out	Compulsion Status	—	—
35	Out	+5V	—	—
36	In	nSelectIn	1284Active	1284Active

- Note:**
1. The prefix “n” on the signal name refers to low active signals. If the host does not have any one of the signal lines listed above, two-way communication fails.
 2. For interfacing, signal lines should always use twisted pair cables with the return sides connected to the signal ground level.
 3. Cautions when resetting the printer using the nInit signal (#31 pin). Reset can be made from #31 pin (nInit signal) of the interface when the DIP switch 1-1 is set to on. (Factory setting is on.)
In addition, when reset has been enabled by #31 pin (nInit signal), it can be set to reset when the following conditions have been established: DIP switch 1-2 has been set to off, #36 pin (nSelectIn/1284 active signal) is low, and #31 pin (nInit signal) is low.
 4. During factory output, IFEE 1284 printer device ID reply will be “Invalid.” To get the device ID, change memory switch 6-C to “Valid.” For instructions on setting the memory switch, please refer to the separate Programmer’s Manual.

Appendix D: DIP Switch Setting

D-1. Parallel Interface

Be sure to turn the power to both the printer and host computer off before changing the setting of the DIP switches.

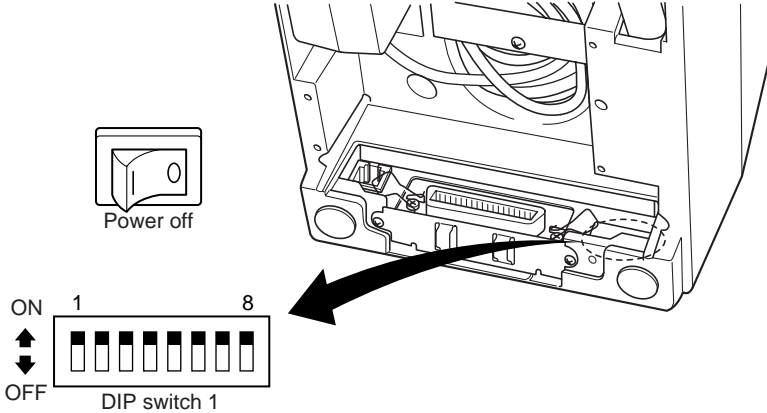


Fig. D-1 DIP switch array

■ DIP switch 1

Factory presetting: All on*1

SW	Function	ON	OFF
1-1 1-2	Reset input conditions or enable/disable conditions IEEE1284 reverse mode	See table below	
1-3	Always ON	Should be set on	
1-4	Auto Cutter *1	Invalid	Valid
1-5	Printing width *2	210 dots (420 half dots)	200 dots (400 half dots)
1-6	Automatic status function *3	Invalid	Valid
1-7	Should not be change	(Should be set on)	
1-8	Command emulation	Star	ESC/POS

Switch 1-1	Switch 1-2	Reset input conditions	Enable/disable IEEE1284 reverse mode
ON	ON	#31 pin (nInit) “Low” input	Enable
ON	OFF	#31 pin (nInit) “Low” input and #36 pin (nSelectIn/1284 active) “Low” input	Enable
OFF	ON	Reset input disabled	Enable
OFF	OFF	#31 pin (nInit) “Low” input	Disable *4

*1 The factory settings for enabling/disabling the auto-cutter are as follows.

Models without auto-cutter (SP2300 Series): Invalid (Switch 1-4 = on)

Models with auto-cutter (SP2500 Series): Valid (Switch 1-4 = off)

Note: If the auto-cutter is valid on models without this function, a mechanical error will occur. Do not enable.

*2 Total dot number for one line.

(This setting determines the default print range and number of digits as follows.)

Switch 1-5	Print range	ANK default digits (ANK 7 × 9/5 × 9)
ON	63 mm	42/35 digits
OFF	60 mm	40/33 digits

*3 Automatic status function

When valid, the status occurrence conditions are as follows.

Star mode: All status occurrences enabled.

ESC/POS mode: Online/offline factors only. (Same conditions as <GS>a 2).

*4 Disable if using #36 pin (nSelectIn/1284 Active) interface for functions other than IEEE1284.

D-2. Serial Interface

Be sure to turn the power to both the printer and host computer off before changing the setting of the DIP switches.

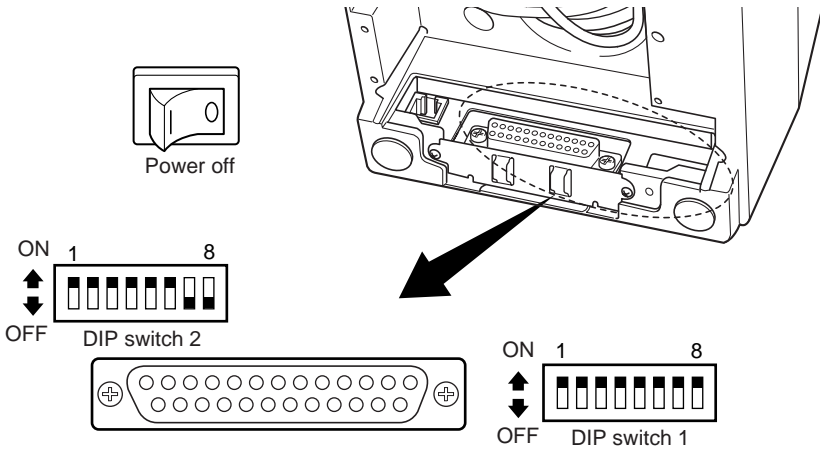


Fig. D-2 DIP switch array

The following is the procedure for changing the settings on DIP switch No. 2.

1. Turn the power to both the printer and computer off.
2. Remove the 2 screws.
3. Remove the serial interface board unit.
4. Change the setting of the DIP switches.

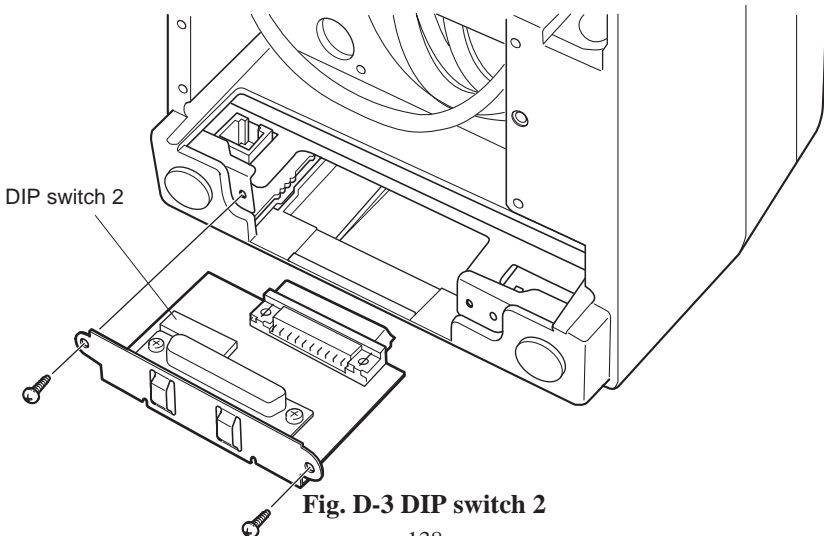


Fig. D-3 DIP switch 2

■ DIP switch 1

Factory presetting: All ON*1

SW	Function	ON	OFF
1-1	Not used	(Always ON)	
1-2	Hand shaking (BUSY condition)	Receive buffer full or offline	Receive buffer full
1-3	Always ON	Should be set on	
1-4	Auto Cutter *1	Invalid	Valid
1-5	Printing width *2	210 dots (420 half dots)	200 dots (400 half dots)
1-6	Automatic status function *3	Invalid	Valid
1-7	Should not be change	(Should be set on)	
1-8	Command emulation	Star	ESC/POS

*1 The factory settings for enabling/disabling the auto-cutter are as follows.

Models without auto-cutter (SP2300 Series): Invalid (Switch 1-4 = on)

Models with auto-cutter (SP2500 Series): Valid (Switch 1-4 = off)

Note: If the auto-cutter is valid on models without this function, a mechanical error will occur. Do not enable.

*2 Total dot number for one line.

(This setting determines the default print range and number of digits as follows.)

Switch 1-5	Print range	ANK default digits (ANK 7 × 9/5 × 9)
ON	63 mm	42/35 digits
OFF	60 mm	40/33 digits

*3 Automatic status function: When valid, the status occurrence conditions are as follows.

Star mode: All status occurrences enabled.

ESC/POS mode: Online/offline factors only. (Same conditions as <GS>a2).

■ DIP switch 2

The following table shows all the possible settings for the DIP switch. The factory default settings are ON for switches 2-1 through 2-6 and OFF for switches 2-7 through 2-8.

Switch	Function	ON	OFF
2-1 2-2	Baud Rate	See table below	
2-3	Data Length	8 bits	7 bits
2-4	Parity Check	Disabled	Enabled
2-5	Parity	Odd	Even
2-6	Handshake	DTR/DSR	XON/XOFF
2-7	Pin 6 (DSR) Reset Signal	Enabled	Disabled
2-8	Pin 25 (INIT) Reset Signal	Enabled	Disabled

Baud Rate	Switch 2-1	Switch 2-2
1200BPS	OFF	OFF
2400BPS	ON	OFF
4800BPS	OFF	ON
9600BPS	ON	ON

Appendix E: Memory Switch Settings

Each memory switch is a 16-bit word store in EEPROM. For details on the functions and settings of memory switches, see the separate Programmer's Manual.

The table below shows the factory settings for the memory switches.

Memory Switch	Hexadecimal Code
0	0000
1	0000
2	0000
3	0000
4	0000
5	0000
6	0000

Warning!

Changing the memory switch settings can cause the printer to fail to operate correctly.

Appendix F: Peripheral Unit Driver Circuit

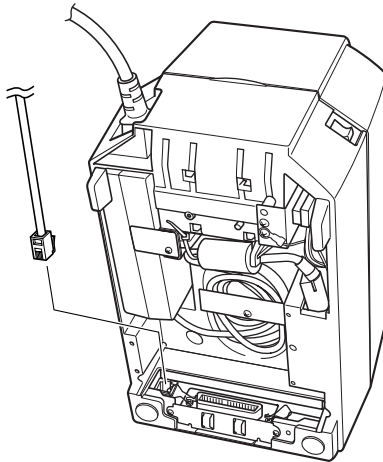
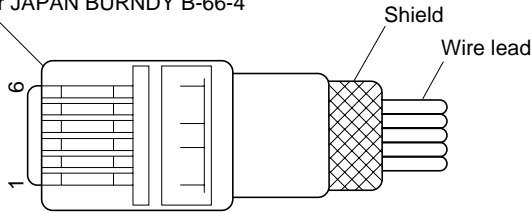
This printer is equipped with a circuit for driving peripheral units, such as cash drawers. A 6-pin modular connector for connection of the peripheral unit is located on the back of the printer. To connect to the drive circuit, connect the peripheral unit to the modular connector using a cable supplied by you like that one shown in the figure below.

Important!

Never connect any other type of plug to the peripheral unit connector.

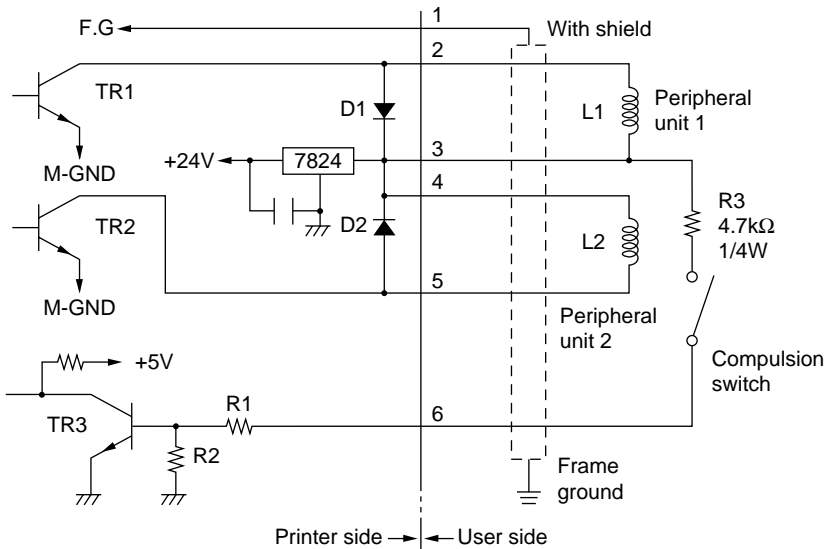
Modular plug

Modular plug: MOLEX 90075-0007,
AMP641337, or JAPAN BURNDY B-66-4



Drive circuit

The recommended drive unit is shown below.



Notes

- Peripheral Units 1 and 2 cannot be driven simultaneously.
- For continuous driving, do not use drive duty greater than 20%.
- The status of the compulsion switch can be known from the following.
 - Star mode : The status of the compulsion switch can be known by using the automatic status function or <ENQ> commands. In the case of ENQ status, bit 7 will be “1” when pin No. 6 of the peripheral unit drive circuit is high (switch on).
 - ESC/POS mode : The status of the compulsion switch can be known by using the automatic status function, <DLE><EOT>n, and <ESC>“u”n commands.
 - Parallel interface : The status of the compulsion switch can be known by pin No. 34 on the parallel interface connector. When the compulsion switch is on, pin No. 34 will be low. This can be checked by using the compatibility mode.
- Minimum resistance for coils L1 and L2 is 24Ω.
- Absolute maximum ratings for diodes D1 and D2 (Ta = 25°C) are:
 - Average Rectified Current Io = 1A
 - Maximum forward surge current (60Hz, 1-cycle sine wave) IFSM = 40A
- Absolute maximum rating for transistors TR1 and TR2 (Ta = 25°C) are:
 - Collector current Ic = 2A
 - Collector loss Pc = 1.2W



**ELECTRONIC PRODUCTS DIVISION
STAR MICRONICS CO., LTD.**

536 Nanatsushinnya, Shimizu, Shizuoka,
424-0066 Japan
Tel: 0543-47-0112, Fax: 0543-48-5013

Please access the following URL
http://www.star-micronics.co.jp/service/frame_sp_spr_e.htm
for the latest revision of the manual.

**OVERSEAS SUBSIDIARY COMPANIES
STAR MICRONICS AMERICA, INC.**

1150 King Georges Post Road, Edison,
NJ 08837-3729 U.S.A.
Tel: 732-623-5555, Fax: 732-623-5590

STAR MICRONICS U.K. LTD.

Star House, Peregrine Business Park, Gomm Road,
High Wycombe, Bucks, HP13 7DL, U.K.
Tel: 01494-471111, Fax: 01494-473333